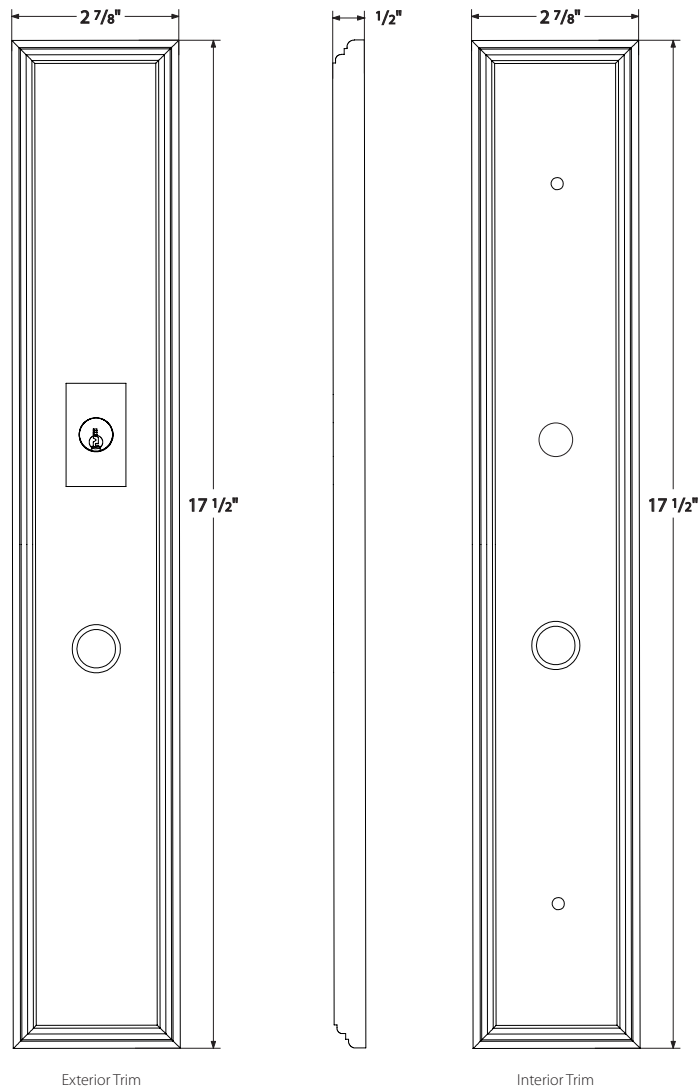
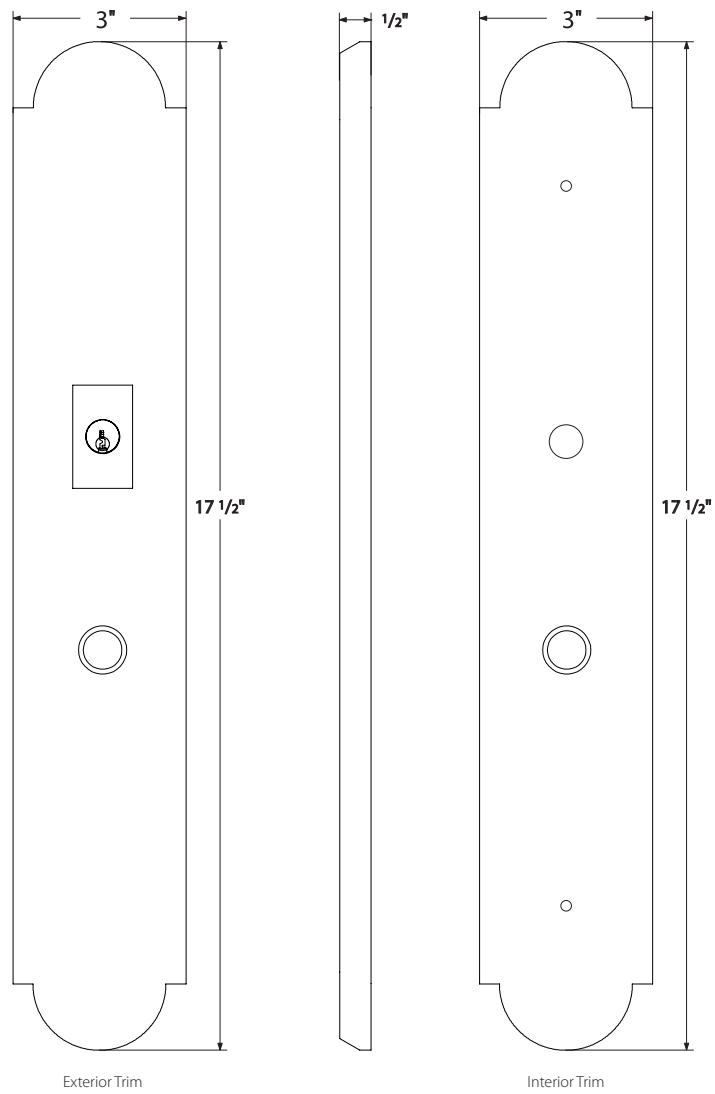


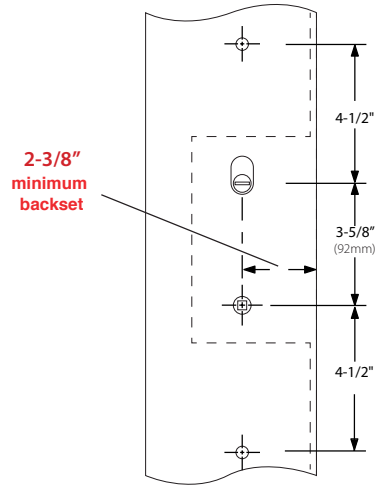
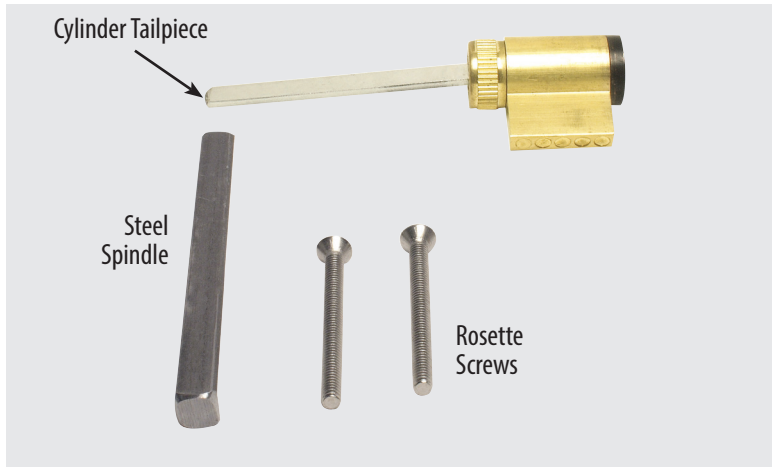
2 3/8" (60mm) minimum backset required



2 3/8" (60mm) minimum backset required



2 3/8" (60mm) minimum backset required



Keyed Plates with American Cylinder

Standard Door Thickness: from 1 5/8" to 2"
Standard Components: <ul style="list-style-type: none"> • Single Cylinder Tailpiece • 3 3/4" Steel Spindle • 2" Rosette Screws • 1 1/2" Rosette Screws for 1 5/8" thick door

Extended Door Thickness: Over 2" to 2 3/4"
Extended Components: <ul style="list-style-type: none"> • Long Single Cylinder Tailpiece • 4 1/2" Steel Spindle • 2 1/2" Rosette Screws • 2" Rosette Screws for 2" - 2 1/8" thick door

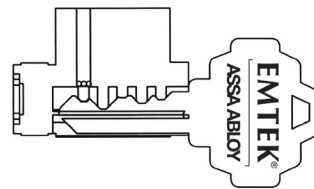
Dummy Plates

Standard Door Thickness: from 1 5/8" to 2"
Standard Components: <ul style="list-style-type: none"> • 2" Rosette Screws • 1 1/2" Rosette Screws for 1 5/8" thick door

Extended Door Thickness: Over 2" to 2 3/4"
Extended Components: <ul style="list-style-type: none"> • 2 1/2" Rosette Screws • 2" Rosette Screws for 2" - 2 1/8" thick door

CONSTRUCTION KEYING

- Lost ball system.
- Last four pin locations drilled for lost ball application.
- Master key pins used for code variability.
- Construction keys and owner keys sent separately.
- Order by indicating "**Construction Keyed, House #_**" next to applicable locks.



- Construction devices used on one or more of last four positions.



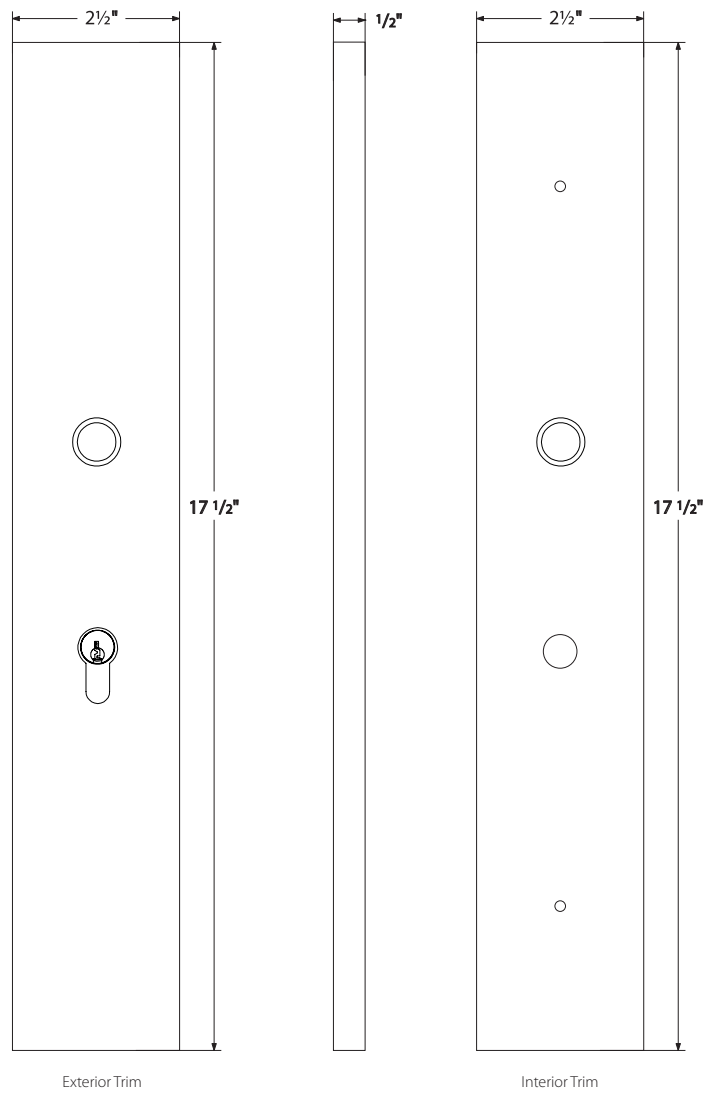
- Dimples drilled in plug in this position.

Charge for Construction Keying - \$3.00 (NET)
• Locks that are both construction keyed and keyed alike in a house group will be charged a total of \$5.00 (NET) per cylinder.

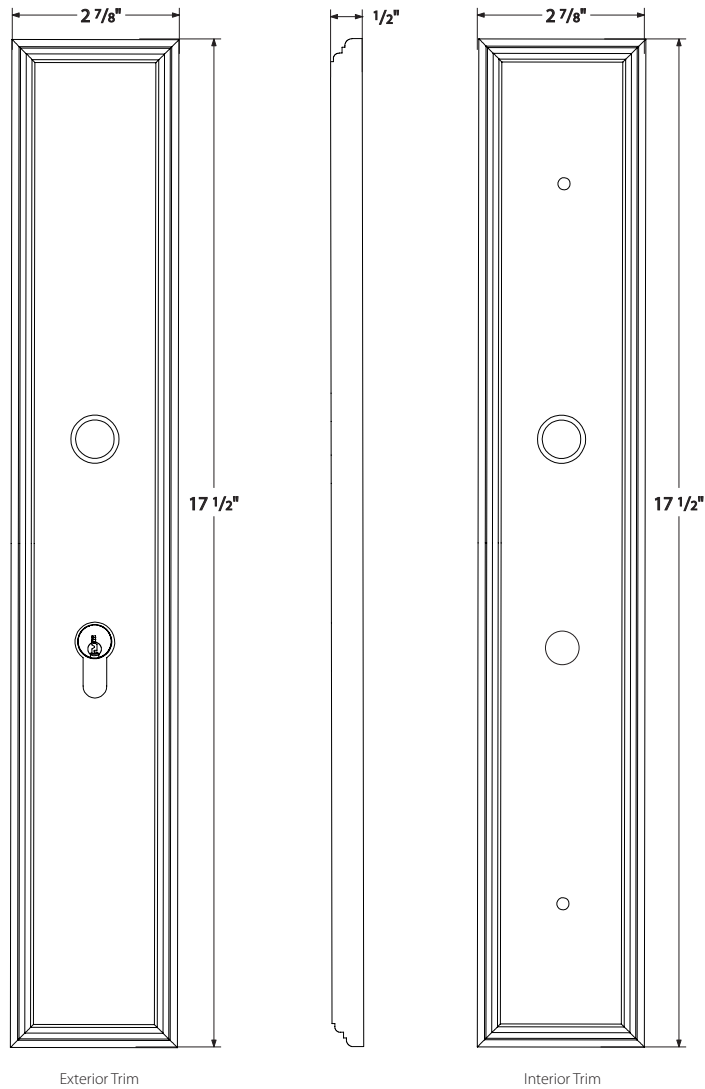
Charge for Re-Keying - \$2.00 (NET) per Cylinder
• Locks that are keyed to code or keyed alike in a house group will be charged \$2.00 (NET) per cylinder.

Keying to Code
• Order by indicating "Key Code XXXX" next to applicable locks.

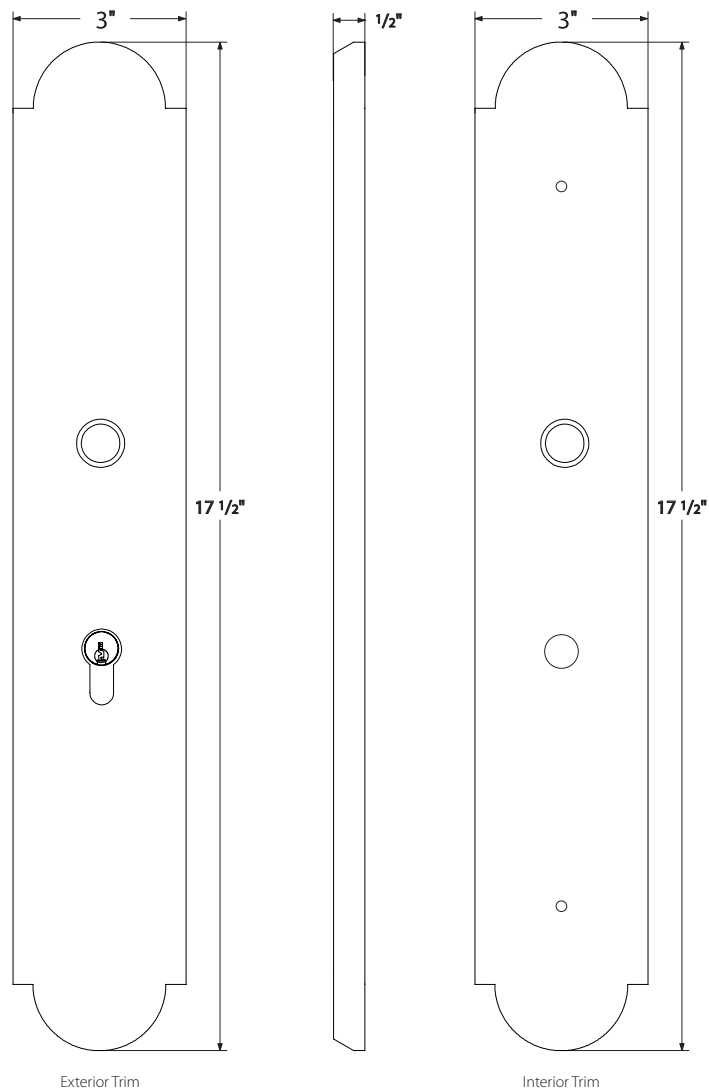
Keying Alike
<ul style="list-style-type: none"> • Order by indicating "Keyed Alike" next to applicable locks if only one keyed alike group is wanted. • If ordering multiple groups (houses) indicate "Keyed Alike House #_" next to applicable locks.



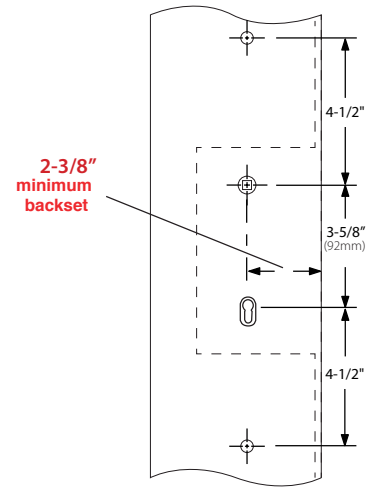
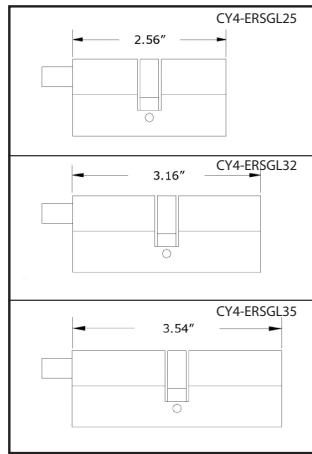
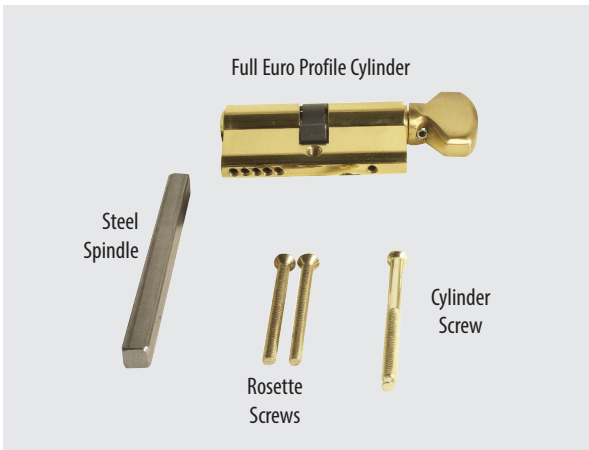
2 3/8" (60mm) minimum backset required



23/8" (60mm) minimum backset required



2 3/8" (60mm) minimum backset required



Keyed Plates with Euro Profile Cylinder

Standard Door Thickness: from 1 5/8" to 2"	Extended Door Thickness: Over 2" to 2 1/2"	Extended Door Thickness: Over 2 1/2" to 2 3/4"
Standard Components: • 2 9/16" Euro Profile Cylinder • 3 3/4" Steel Spindle • 1 1/2" Rosette Screws	Extended Components: • 3 5/32" Euro Profile Cylinder • 4 1/2" Steel Spindle • 2" Rosette Screws	Extended Components: • 3 17/32" Euro Profile Cylinder • 5" Steel Spindle • 3" Rosette Screws

Dummy Plates

Standard Door Thickness: from 1 5/8" to 2"	Extended Door Thickness: Over 2" to 2 3/4"
Standard Components: • 2" Rosette Screws • 1 1/2" Rosette Screws for 1 5/8" thick door	Extended Components: • 2 1/2" Rosette Screws • 2" Rosette Screws for 2" - 2 1/8" thick door

CUSTOM KEYING

<p>Charge for Re-Keying - \$2.00 (NET) per Cylinder</p> <ul style="list-style-type: none"> • Locks that are keyed to code or keyed alike in a house group will be charged \$2.00 (NET) per cylinder.
<p>Keying to Code</p> <ul style="list-style-type: none"> • Order by indicating "Key Code XXXXX" next to applicable locks.
<p>Keying Alike</p> <ul style="list-style-type: none"> • Order by indicating "Keyed Alike" next to applicable locks if only one keyed alike group is wanted. • If ordering multiple groups (houses) indicate "Keyed Alike House #_" next to applicable locks.