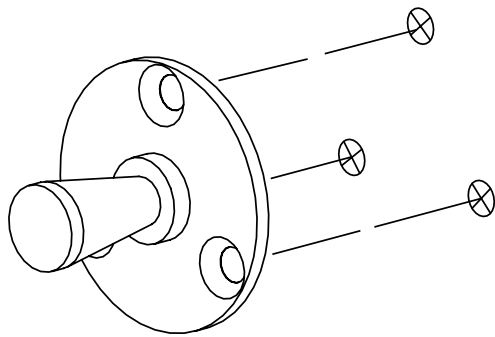


Installation Instructions - Hook

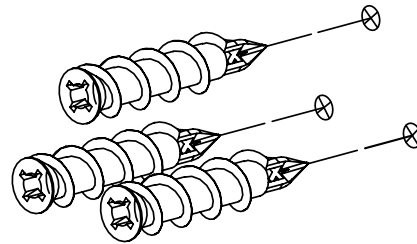
1. Mark hole locations

Use mounting plate as a template to mark location of screw holes.



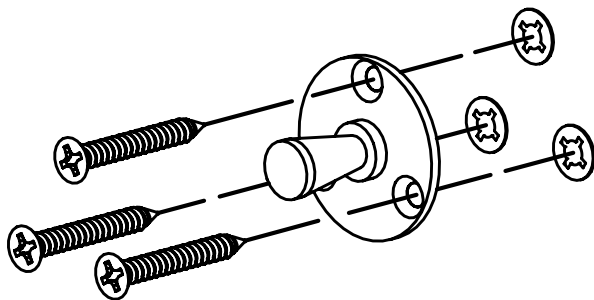
2. Install Screw Anchors

Use the marks as a guide to install three screw anchors (provided) into the wall.



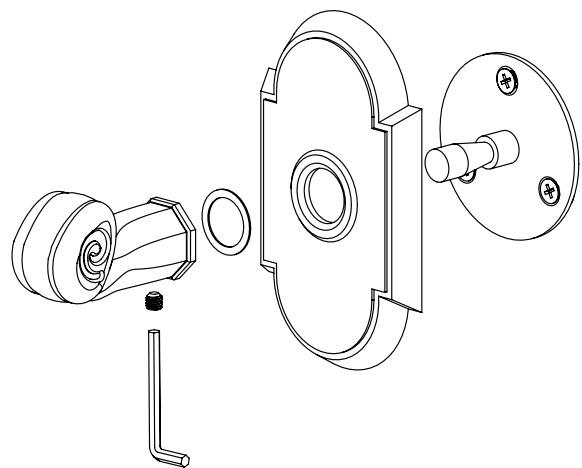
3. Install Mounting Plate

Place mounting plate on top of the Screw Anchors. Secure using screws provided.



4. Install trim plate and hook

Slip trim plate and hook on the mounting plate stud. Tighten set screw at the base of post with Allen Wrench provided.



Trim Plates vary depending on style