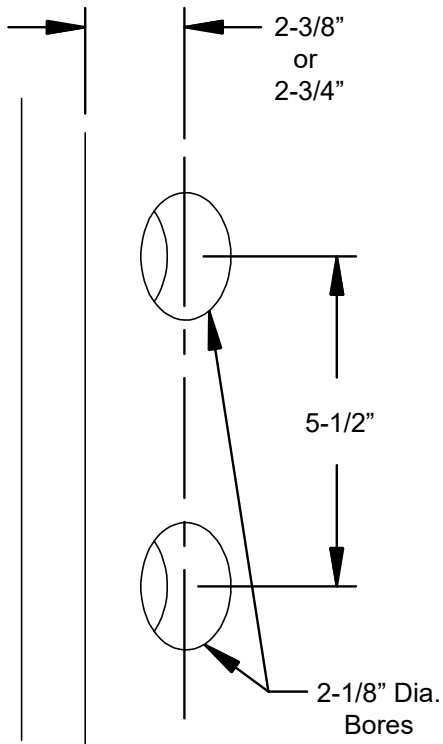
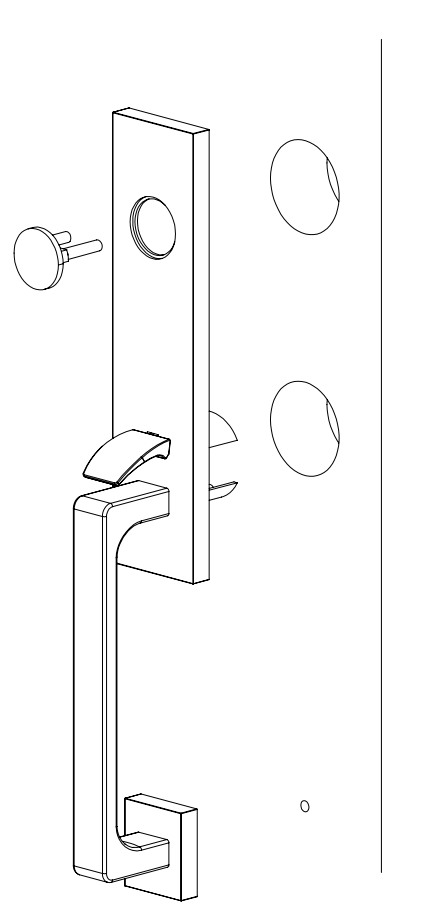


1. Door Prep



2. Outside Trim



3. Inside trim

