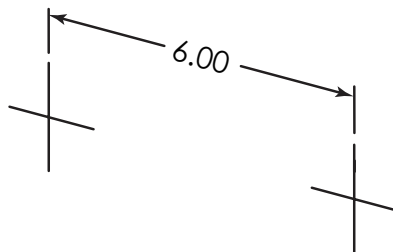


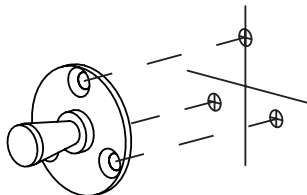
**1. Mark center of mounting plates**

Make two marks on wall to locate center of mounting plates. Center to center spacing for mounting plates is 6 inches.



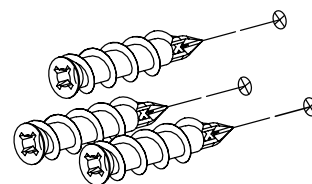
**2. Mark hole locations**

Using the mounting plate, mark three hole locations per mounting plate.



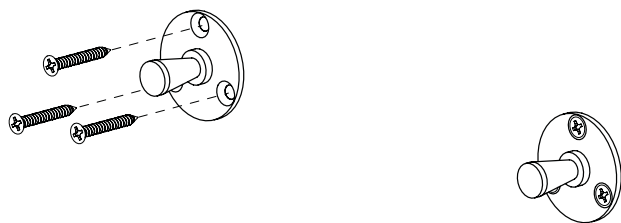
**3. Install screw anchors**

Use a screw driver to install six screw anchors into the wall (3 per plate)



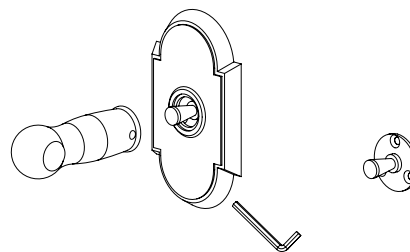
**4. Install Mounting Plate**

Install mounting plates on top of the Screw Anchors. Secure using screws provided.



**5. Install trim plate and post**

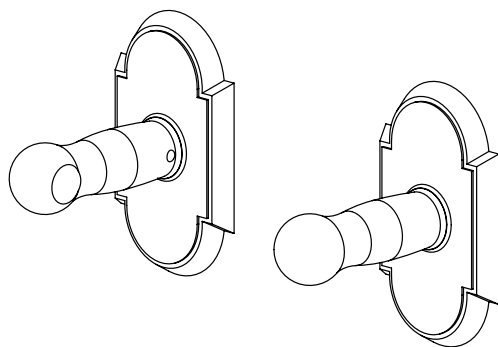
Slip trim plate and post over mounting plate stud. Tighten set screw at the base of post with Allen Wrench provided.



Trim Plates vary depending on style

**6. Install trim plate and post cont.**

Repeat step 5 for other trim plate and post.



**7. Install Paper Holder Spring Rod**

