
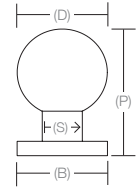


COMTEMPORARY


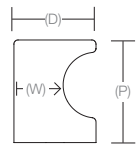
Cabinet Knobs & Pulls Technical Specifications

EMTEK


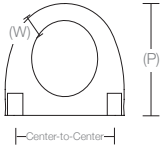
Globe Knob

 <p>(Back Plate Included)</p>		Product Code Dimension(D) Projection(P) Base Diameter(B) Stem Diameter(S)
		86152 1 1/8" 1 1/2" 1" 1/2"


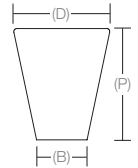
Finger Pull

		Product Code Dimension(D) Projection(P) Width(W)
		86150 7/8" 1" 5/8" 86151 1" 1 1/4" 5/8"


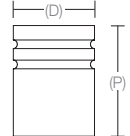
Ring Knob

 <p>(2 Screws are Included)</p>		Product Code Dimension C-to-C Projection(P) Width(W)
		86270 1" 1 1/4" 3/8"


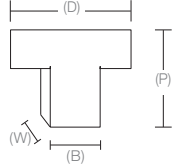
Cone Knob

		Product Code Dimension(D) Projection(P) Base Diameter(B)
		86261 1" 1 1/8" 1/2" 86262 1 1/8" 1 3/8" 5/8"

Metric Knob

		Product Code Dimension(D) Projection(P)
		86268 1" 1 1/4" 86269 1 1/8" 1 3/8"

Trail Knob


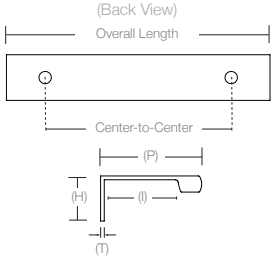
		Product Code Dimension(D) Projection(P) Base(B) Width(W)
		86271 2" 1 3/8" 3/8" 5/8"

CONTEMPORARY


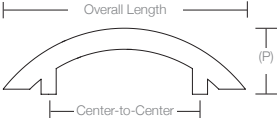
Cabinet Knobs & Pulls Technical Specifications

EMTEK


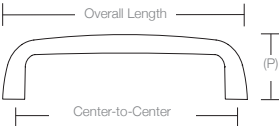
Edge Pull

		Product Code	Dimension C-to-C	Overall Length	Projection(P)	Height(H)	Inner Projection(I)	Thickness(T)
		87160	1"	1 1/2"	1 3/4"	3/4"	1 1/4"	1/16"
		87100	3"	4 1/4"	1 3/4"	3/4"	1 1/4"	1/16"
		87110	4"	5 1/4"	1 3/4"	3/4"	1 1/4"	1/16"
		87120	6"	7 1/4"	1 3/4"	3/4"	1 1/4"	1/16"
		87130	8"	9 1/4"	1 3/4"	3/4"	1 1/4"	1/16"
		87140	10"	11 1/4"	1 3/4"	3/4"	1 1/4"	1/16"
87150	12"	13 1/4"	1 3/4"	3/4"	1 1/4"	1/16"		

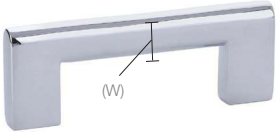
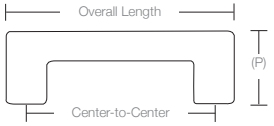
Arch Pull (Discontinued. No Longer Available)

		Product Code	Dimension C-to-C	Overall Length	Projection(P)
		86153	3"	4 3/4"	1 1/8"
		86154	3 1/2"	5 1/4"	1 1/8"
		86155	4"	5 3/4"	1 1/8"
		86251	6"	8 3/4"	1 1/4"

Orbit Pull

		Product Code	Dimension C-to-C	Overall Length	Projection(P)
		86256	3"	3 3/8"	1"
		86257	3 1/2"	3 7/8"	1"
		86258	4"	4 3/8"	1"
		86259	6"	6 3/8"	1"
		86260	10"	10 3/8"	1"

Trail Pull


		Product Code	Dimension C-to-C	Overall Length	Projection(P)	Width(W)
		86161	3"	3 3/4"	1 3/8"	1/2"
		86162	3 1/2"	4 1/4"	1 3/8"	1/2"
		86163	4"	4 3/4"	1 3/8"	1/2"
		86272	5"	5 3/4"	1 3/8"	1/2"
		86164	6"	6 3/4"	1 3/8"	1/2"
		86165	8"	8 3/4"	1 3/8"	1/2"
		86273	10"	10 3/4"	1 3/8"	1/2"
		86166	12"	12 3/4"	1 3/8"	1/2"
		86274	16"	16 3/4"	1 3/8"	1/2"

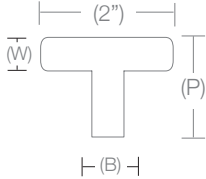
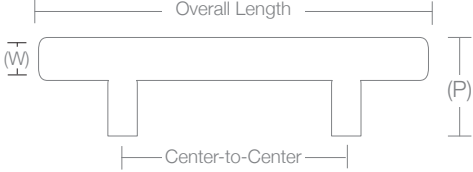
COMTEMPORARY

Cabinet Knobs & Pulls Technical Specifications


EMTEK

Brass Bar Knob & Pull

	Product Code	Overall Length	Dimension C-to-C	Projection(P)	Base Diameter(B)	Bar Width(W)
	86357	2"	N/A	1 1/4"	3/8"	1/2"
	86358	5"	3"	1 1/4"	3/8"	1/2"
	86359	5 1/2"	3 1/2"	1 1/4"	3/8"	1/2"
	86360	6 1/2"	4"	1 1/4"	3/8"	1/2"
	86361	7 1/2"	5"	1 1/4"	3/8"	1/2"
	86362	8 1/2"	6"	1 1/4"	3/8"	1/2"
	86363	10 1/2"	8"	1 1/4"	3/8"	1/2"
	86364	12 1/2"	10"	1 1/4"	3/8"	1/2"
	86365	14 1/2"	12"	1 1/4"	3/8"	1/2"
86366	18 1/2"	16"	1 1/4"	3/8"	1/2"	
86367	26 1/2"	24"	1 1/4"	3/8"	1/2"	

 <p>Brass Bar Knob (86357)</p>	 <p>Brass Bar Pull</p>
---	--

Trinity Pull

	Product Code	Dimension C-to-C	Overall Length	Projection(P)	Width(W)
	86263	3"	3 1/2"	1"	5/8"
	86264	3 1/2"	4"	1"	5/8"
	86265	4"	4 1/2"	1"	5/8"
	86482	5"	5 1/2"	1"	5/8"
	86266	6"	6 1/2"	1"	5/8"
	86438	8"	8 1/2"	1"	5/8"
	86267	10"	10 1/2"	1"	5/8"
	86483	12"	12 1/2"	1"	5/8"

