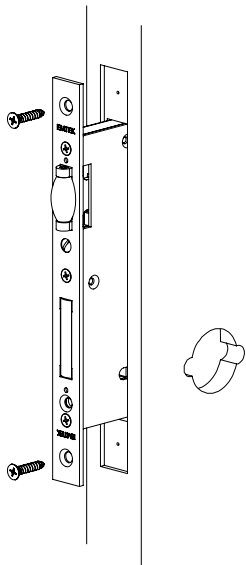
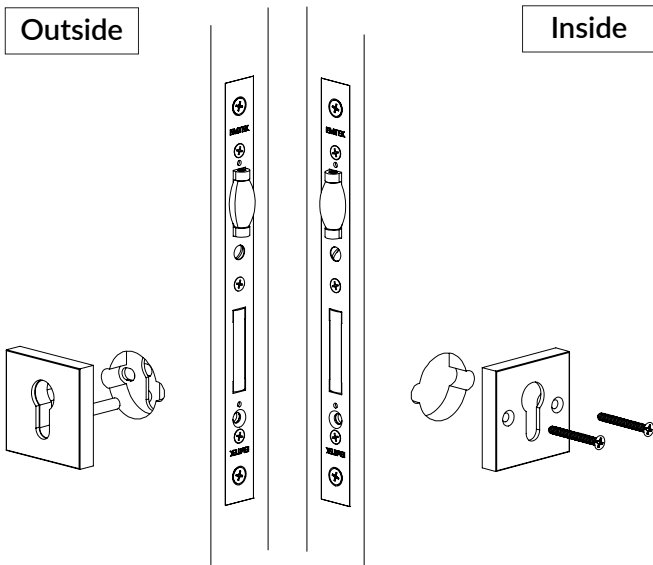


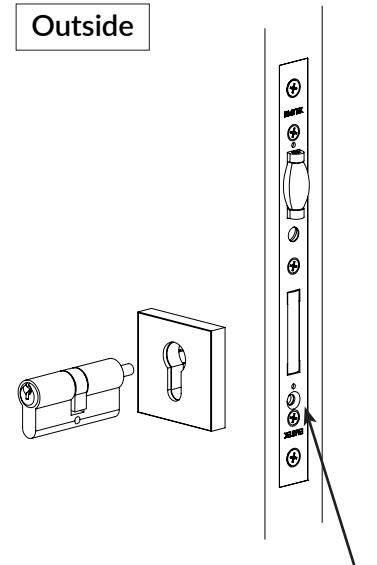
1. Install Lock 2. Install Trims 3. Install Cylinder



See Template for door prep

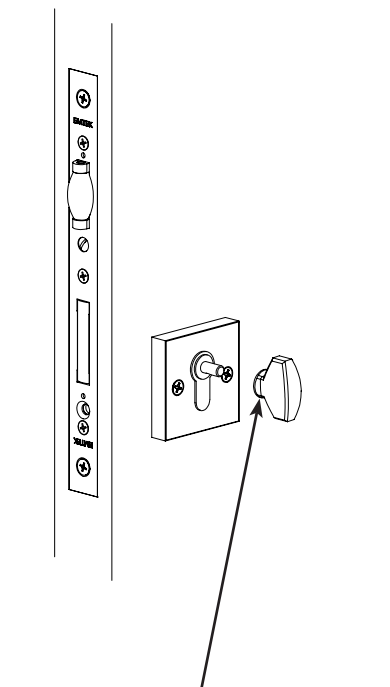


Trims vary, square rosettes shown

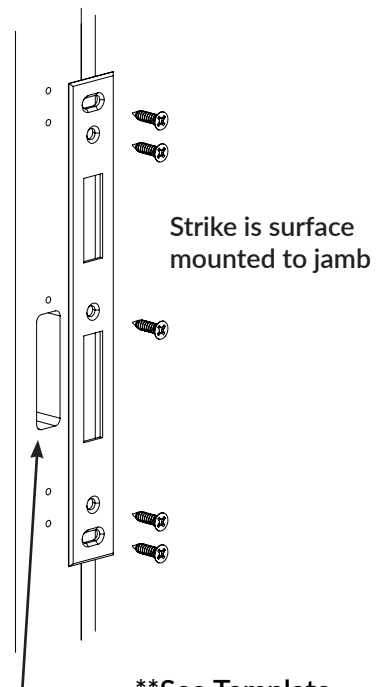


Tighten screw to secure Cylinder

4. Install Thumbturn 5. Install Strike 6. Adjust roller

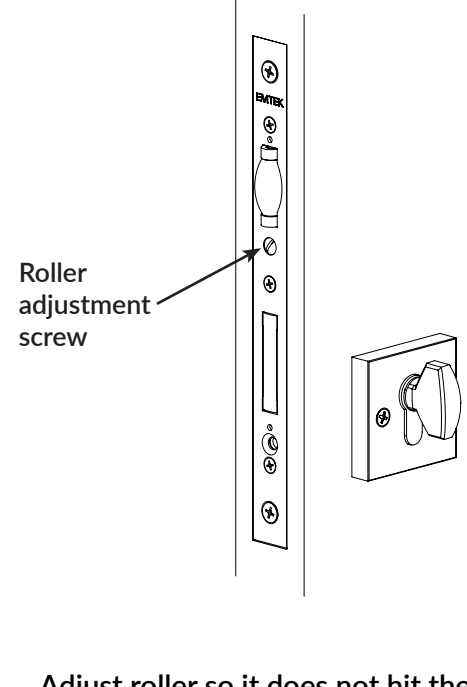


Tighten set screw on bottom of Thumbturn



Strike is surface mounted to jamb

See Template for jamb prep



Roller adjustment screw

Adjust roller so it does not hit the door jamb when door closes

Only the 5/8" x 2-1/4" rectangle should be mortised in the door jamb. The strike plate should not be mortised as it could impede the function of the roller latch and potentially cause damage to the door jamb.