
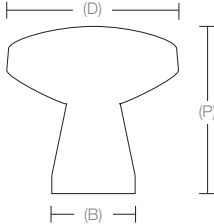


STAINLESS STEEL


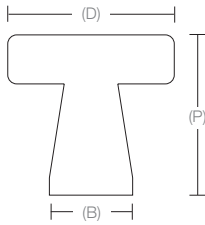
Cabinet Knobs & Pulls Technical Specifications

EMTEK


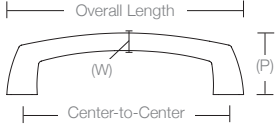
Stainless Steel Dome Knob (Discontinued. No Longer Available)

		Product Code	Dimension(D)	Projection(P)	Base Diameter(B)
		S61113SS	1 ¼"	1 ¼"	5/8"

Stainless Steel Mushroom Knob (Discontinued. No Longer Available)

		Product Code	Dimension(D)	Projection(P)	Base Diameter(B)
		S61213SS	1 ¼"	1 ¼"	5/8"

Stainless Steel Delta Pull


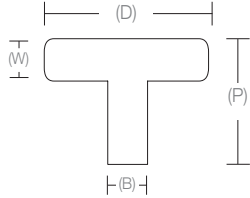
		Product Code	Overall Length	Dimension C-to-C	Projection(P)	Bar Width(W)
		S60030SS	3 ½"	3"	1"	7/8"
		S60035SS	4"	3 ½"	1"	7/8"
		S60040SS	4 ½"	4"	1"	7/8"

STAINLESS STEEL


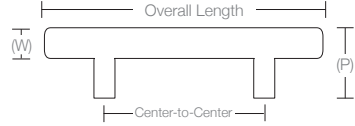
Cabinet Knobs & Pulls Technical Specifications

EMTEK

Stainless Steel Bar Knob

		Product Code Dimension(D) Projection(P) Base Diameter(B) Width(W)
		S62001SS 2" 1 1/4" 3/8" 1/2"

Stainless Steel Bar Pull

		Product Code Overall Length Dimension C-to-C Projection(P) Width(W)
		S62002SS 5" 3" 1 1/4" 1/2" S62003SS 5 1/2" 3 1/2" 1 1/4" 1/2" S62004SS 6 1/2" 4" 1 1/4" 1/2" S62005SS 7 1/2" 5" 1 1/4" 1/2" S62006SS 8 1/2" 6" 1 1/4" 1/2" S62007SS 10 1/2" 8" 1 1/4" 1/2" S62008SS 12 1/2" 10" 1 1/4" 1/2" S62009SS 14 1/2" 12" 1 1/4" 1/2" S62010SS 18 1/2" 16" 1 1/4" 1/2" S62011SS 26 1/2" 24" 1 1/4" 1/2" S62012SS 30 1/2" 28" 1 1/4" 1/2" S62013SS 34 1/2" 32" 1 1/4" 1/2" S62014SS 38 1/2" 36" 1 1/4" 1/2"