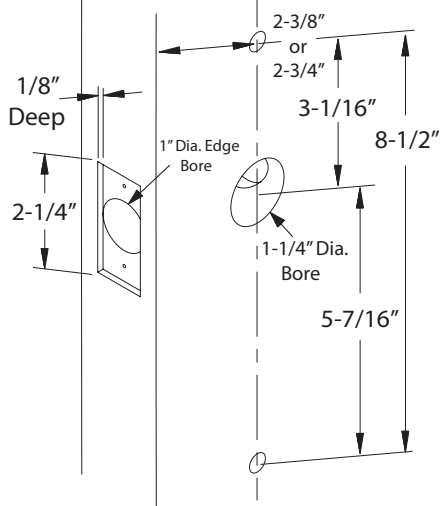
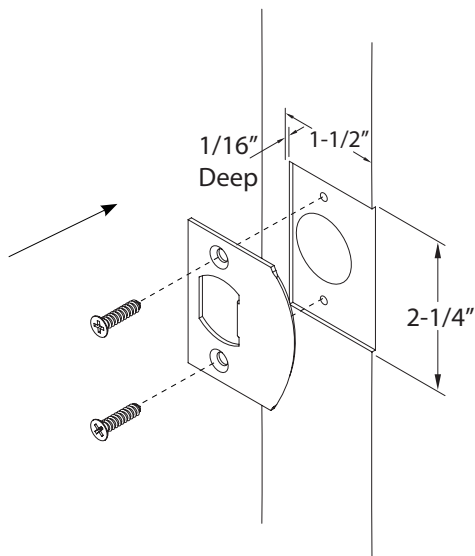


1. Door Prep

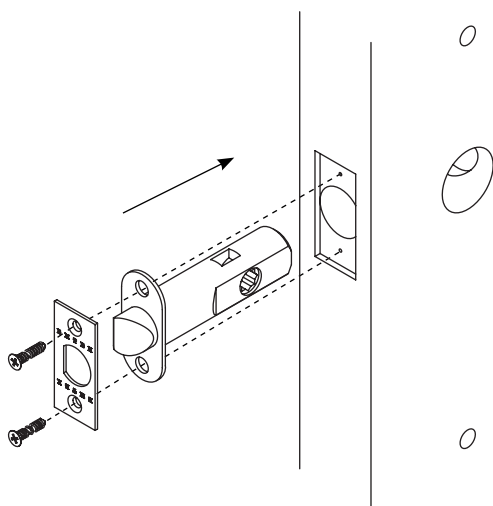


See template for door prep specifications.

2. Door Jamb Prep

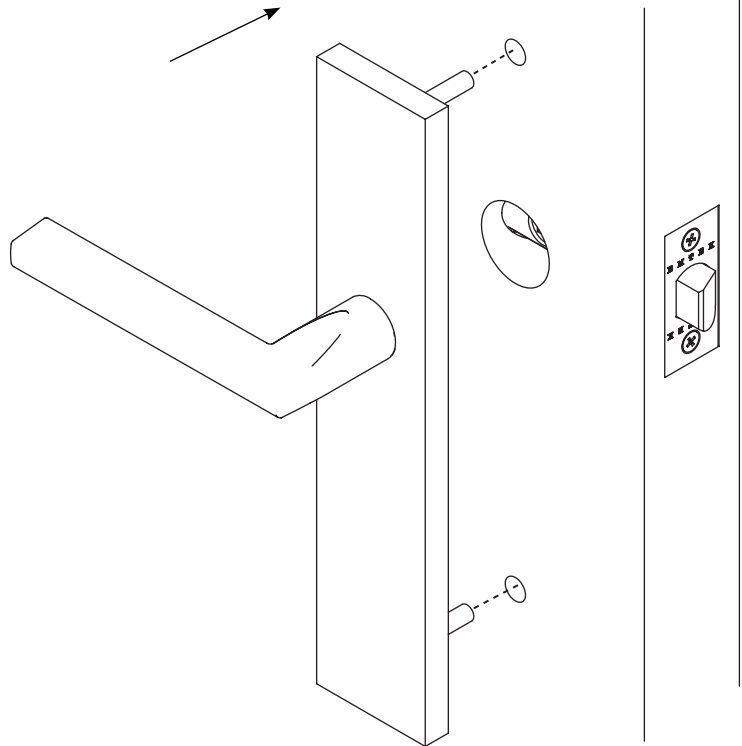


3. Install Latch



4. Outside Installation

Step 1. Position the outside trim through the bore hole.



5. Inside Installation

Step 2. Fasten Inside Trim using two #8 machine screws (provided).

