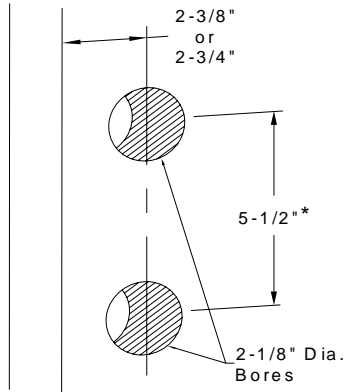
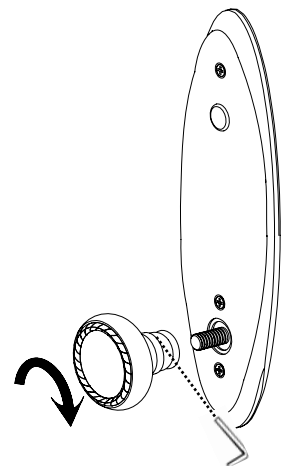
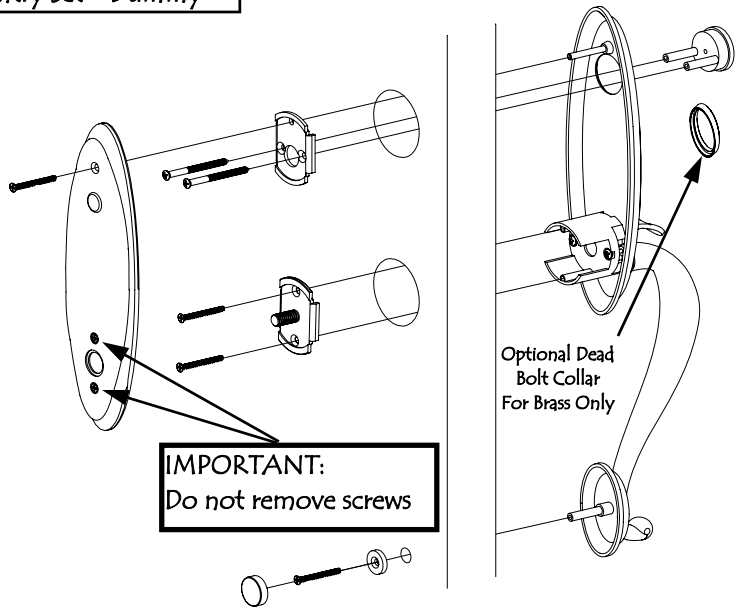


Installation Instructions-Tubular Monolithic Entry Set - Dummy

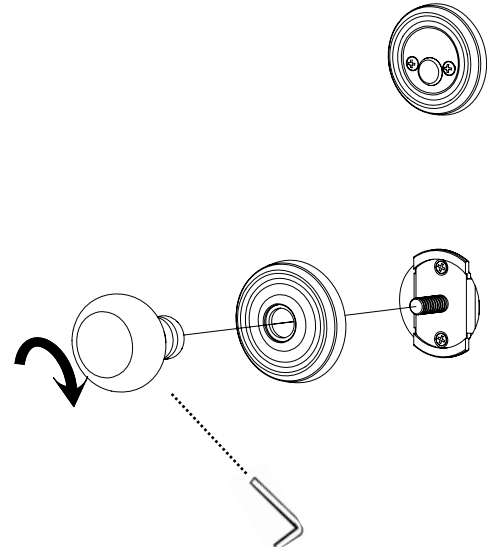
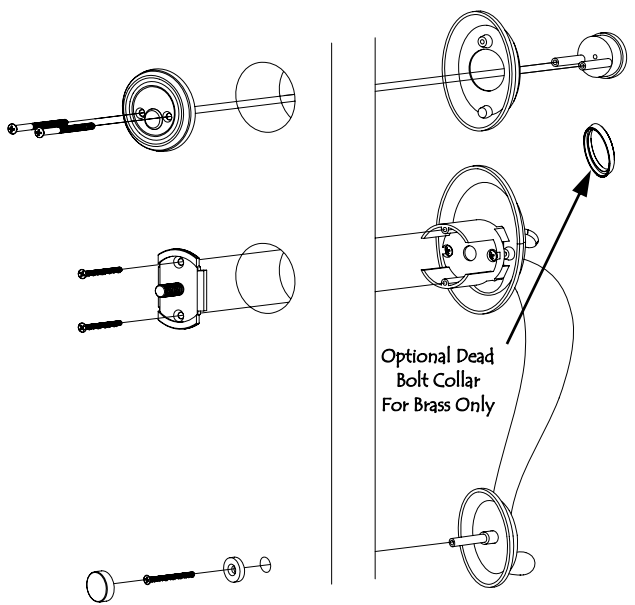
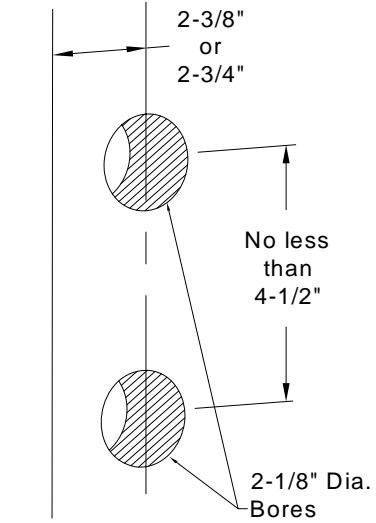


\* Marietta 6 style locks have 6" center to center bore spacing.



AFTER LOCK HAS BEEN INSTALLED  
Tighten Set Screws with Allen Wrench

Installation Instructions-Tubular Sectional Entry Set - Dummy



AFTER LOCK HAS BEEN INSTALLED  
Tighten Set Screws with Allen Wrench