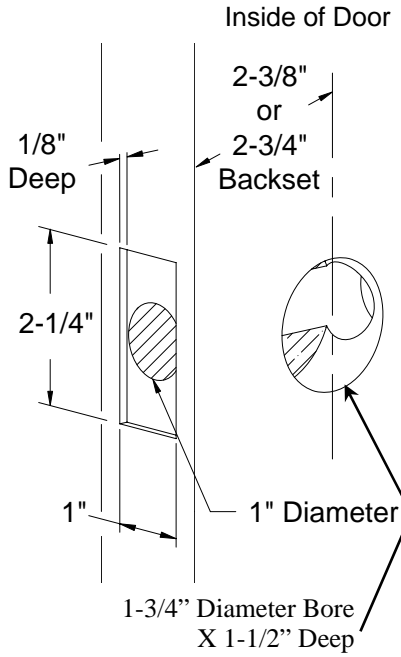


# Installation Guide-Single Sided Deadbolt

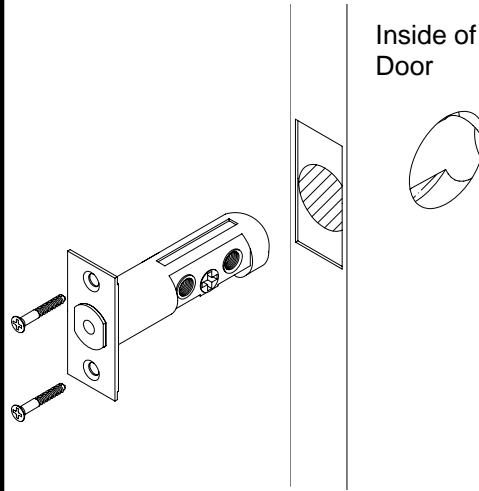
## Door Prep.

For Doors Thickness:  
1-5/8" to 2-3/8"

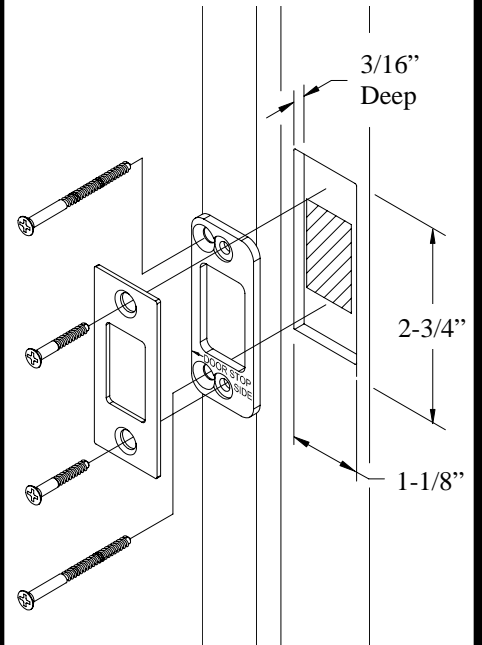


**(NOTE: Bore from the inside.  
Do not bore all the way  
through the door.)**

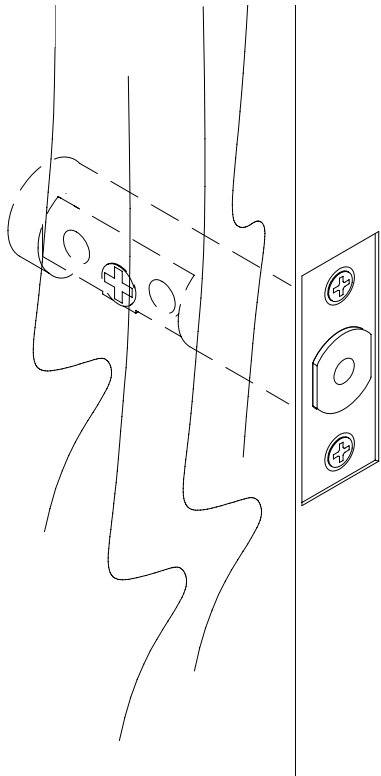
## Install Bolt



## Door Jam Prep



## Outside



## Inside

