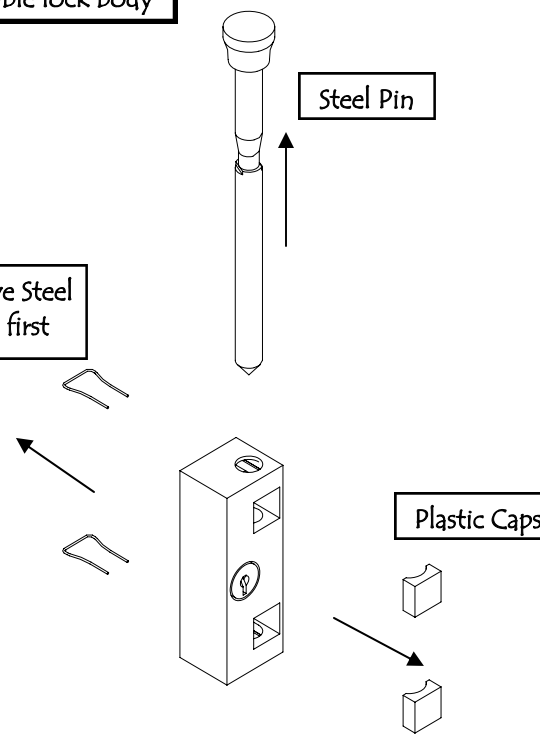


Installation Instructions-Patio Door Lock

Disassemble lock body



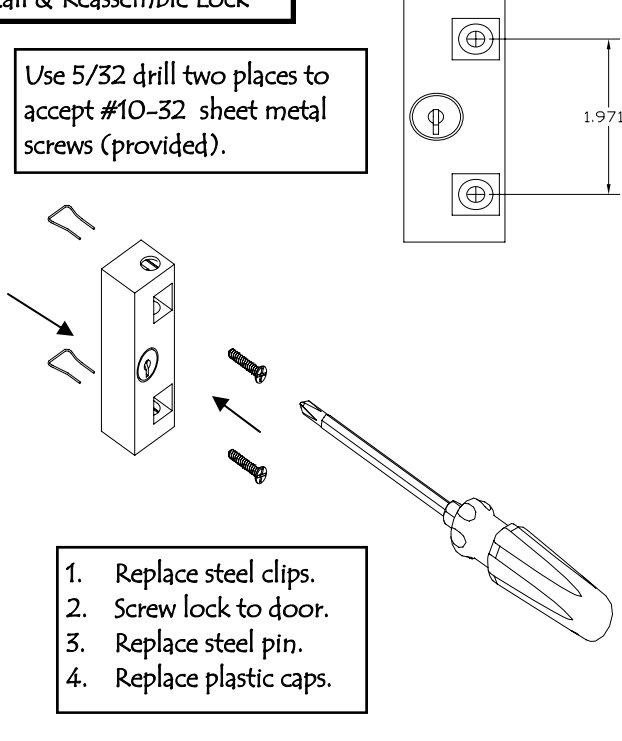
Remove Steel Clips first

Steel Pin

Plastic Caps

EMTEK
ASSA ABLOY

Install & Reassemble Lock



Use 5/32 drill two places to accept #10-32 sheet metal screws (provided).

1.9710

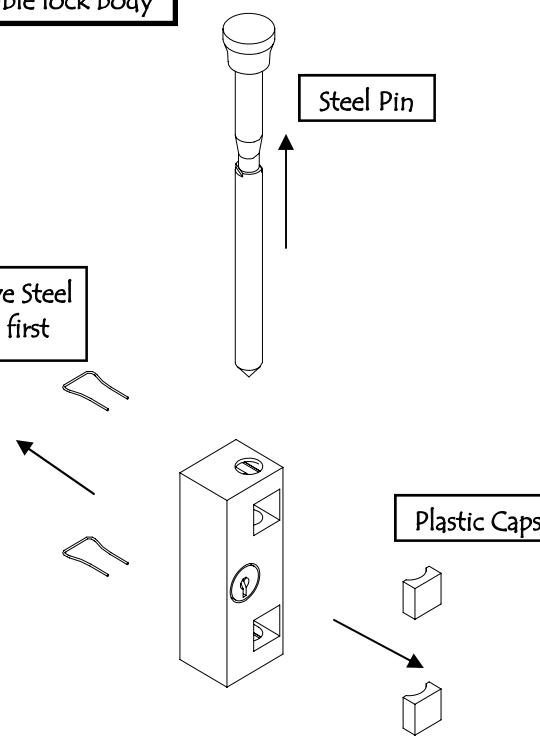
1. Replace steel clips.
2. Screw lock to door.
3. Replace steel pin.
4. Replace plastic caps.

EMTEK
ASSA ABLOY

IN4-PATIODOOR REV. 03-12-09

Installation Instructions-Patio Door Lock

Disassemble lock body



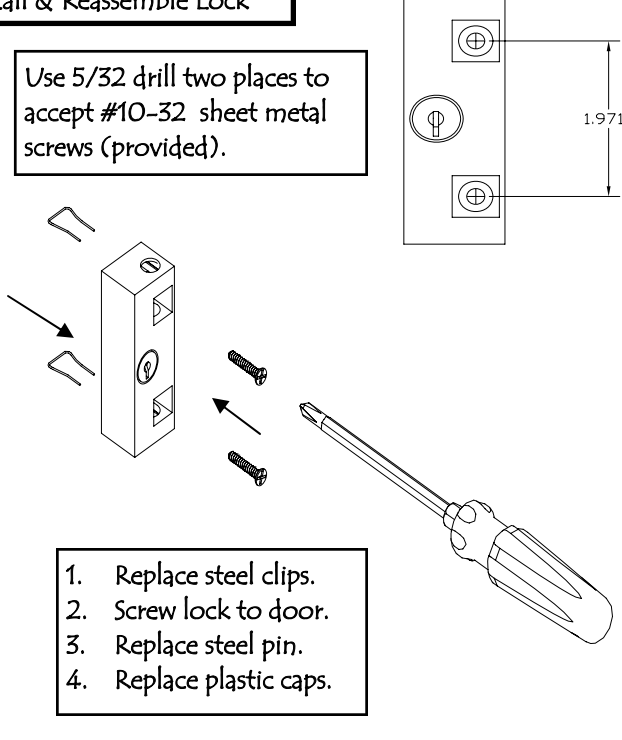
Remove Steel Clips first

Steel Pin

Plastic Caps

EMTEK
ASSA ABLOY

Install & Reassemble Lock



Use 5/32 drill two places to accept #10-32 sheet metal screws (provided).

1.9710

1. Replace steel clips.
2. Screw lock to door.
3. Replace steel pin.
4. Replace plastic caps.

EMTEK
ASSA ABLOY

IN4-PATIODOOR REV. 03-12-09