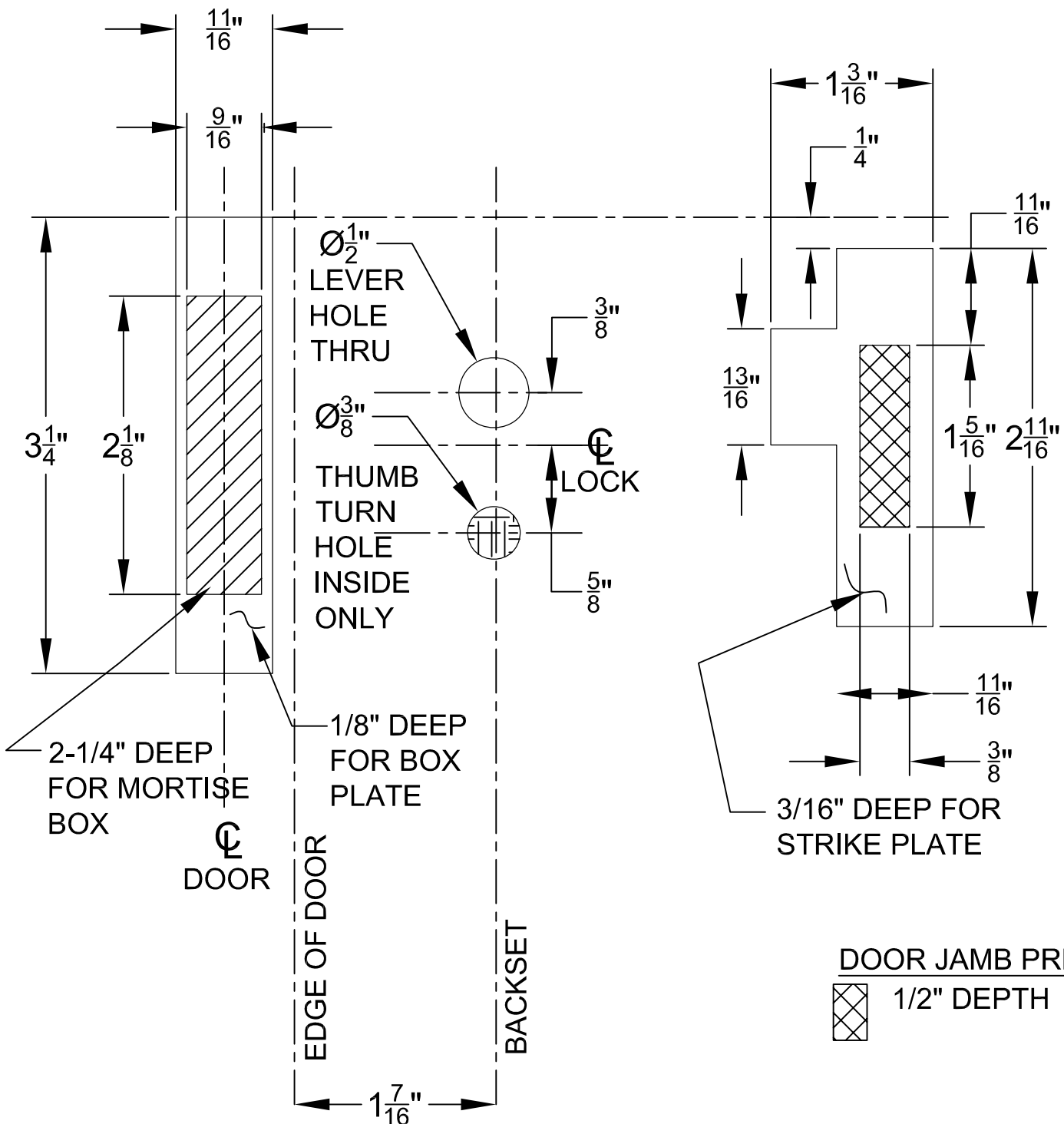


ACTIVE SCREEN DOOR MORTISE LOCK HOLE PREPARATION (RIGHT HAND)*



NOTE:
THIS TEMPLATE IS DESIGNED FOR USE ON 1" THICK DOOR.