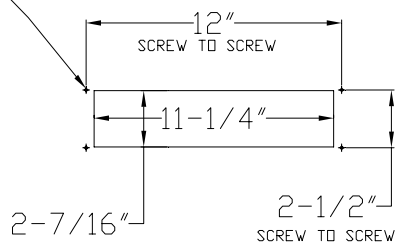


Installation Instructions-Mail Slot

Door Prep

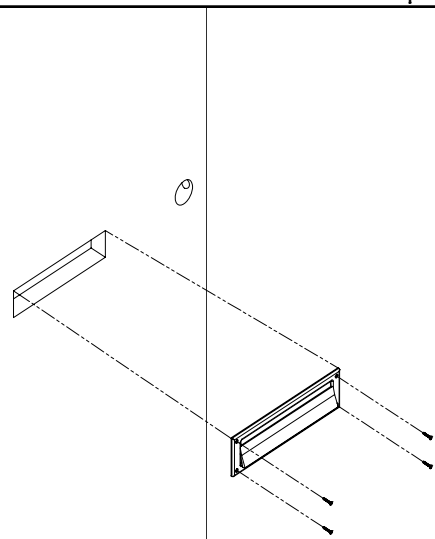
DRILL FOR WOOD SCREWS  
PROVIDED 4 PLACES



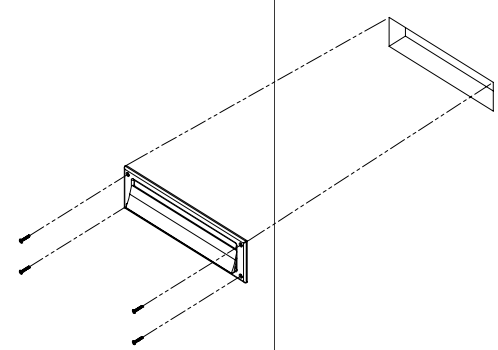
Prep mail slot opening by cutting thru door  
And drill for wood screws provided.

Inside Trim

Attach inside slot cover with screws provided.



Outside Trim



Attach outside slot cover with screws provided.  
Note: outside cover is spring loaded.