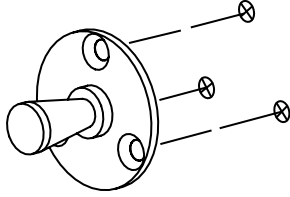


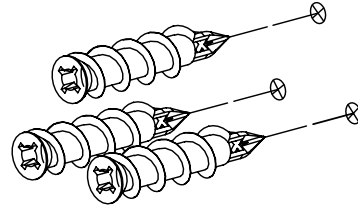
## 1. Mark hole locations

Using the mounting plate, mark the hole locations.



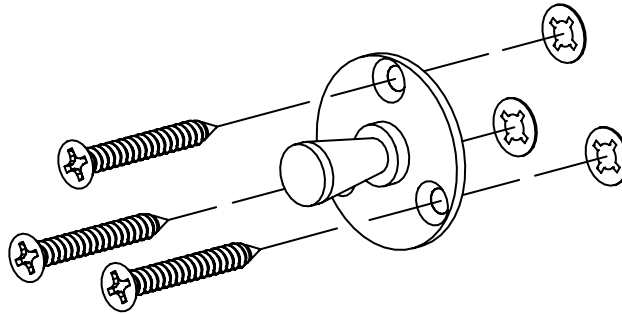
## 2. Install screw anchors

Use a screw driver to install three screw anchors into the wall

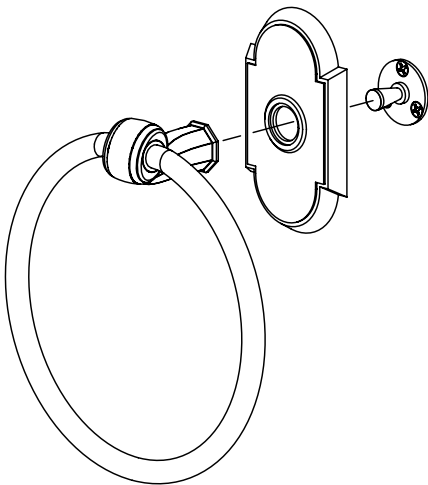


## 3. Install mounting plate

Secure mounting plate using screws provided

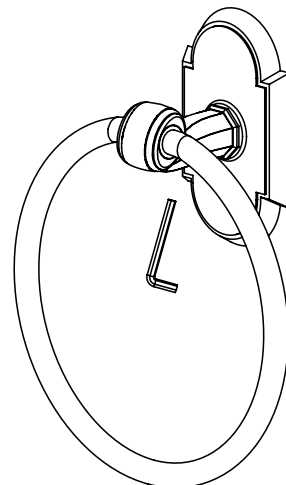


## 4. Install Trim Plate and Ring Post



Trim Plates vary depending on style

## 5. Tighten Set screw



Tighten set screw at base of post with Allen Wrench provided.