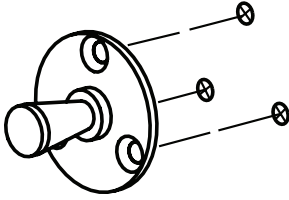
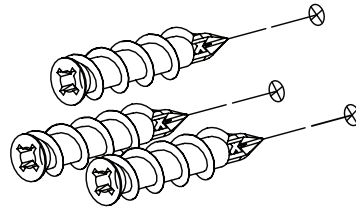


## Towel Ring Installation Guide

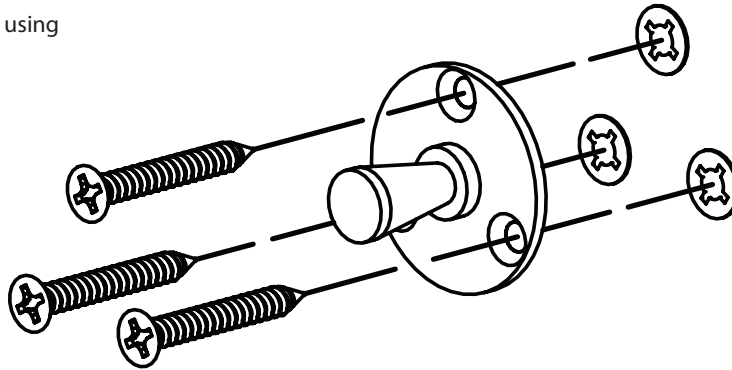
- 1** Mark Hole Locations  
Using the mounting plate, mark the hole locations.



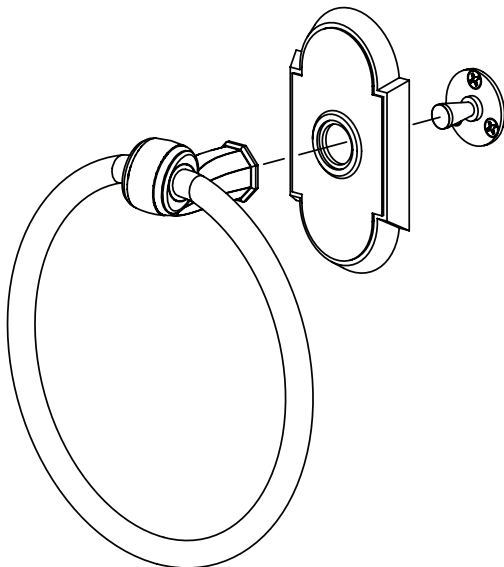
- 2** Install Screw Anchors  
Use a screw driver to install three screw anchors into the wall.



- 3** Install Mounting Plate  
Secure mounting plate using screws provided.

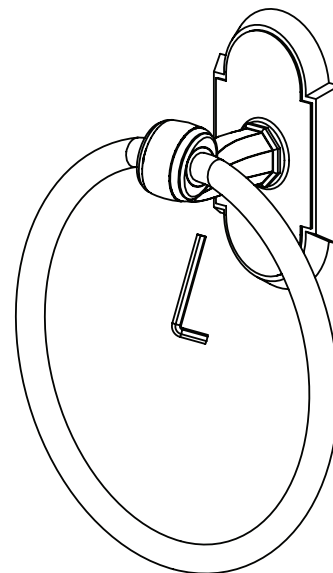


- 4** Install Trim Plate and Ring Post



Trim Plates vary depending on style

- 5** Tighten Set Screw



Tighten set screw at base of post with Allen Wrench provided.