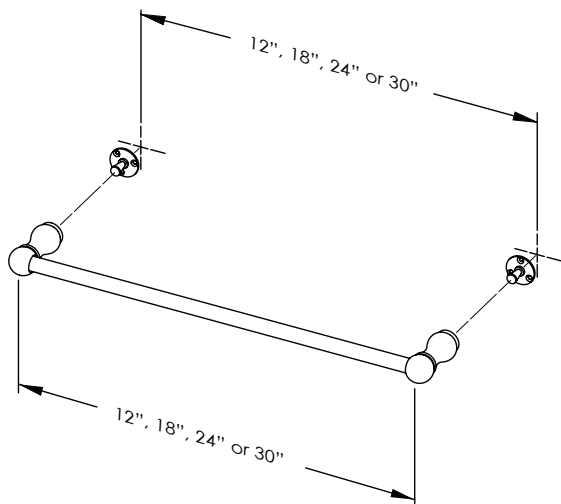


Towel Bar Installation Guide

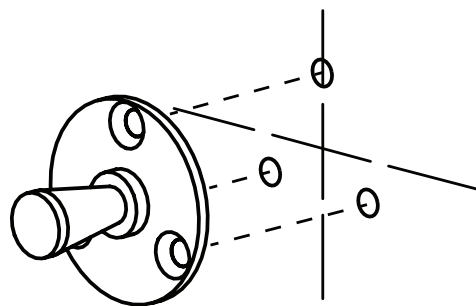
1 Locate Center of Mounting Plates

Make two marks on wall to locate center of mounting plates. Center to center spacing for mounting plates is the same as the length of the towel bar.



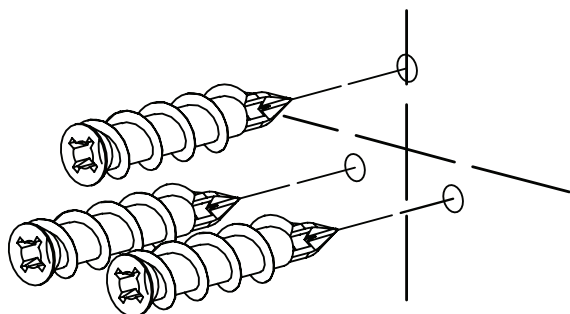
2 Install Mounting Plates

Mark three hole locations for each mounting plate.



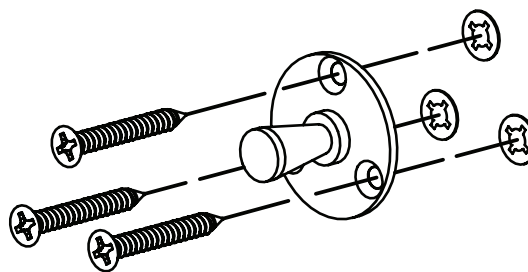
3 Install Screw Anchors

Use a screw driver to install three screw anchors into the wall for each mounting plate.



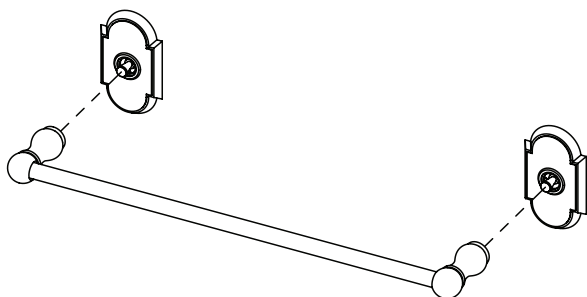
4 Install Mounting Plates

Secure mounting plates using screws provided.



5 Install Trim Plates and Towel Bar

Slip Trim Plates and Towel Bar posts over the mounting plate studs.



Trim Plates vary depending on style

6 Tighten Set Screw

Tighten set screw at base of post with Allen Wrench Provided.

