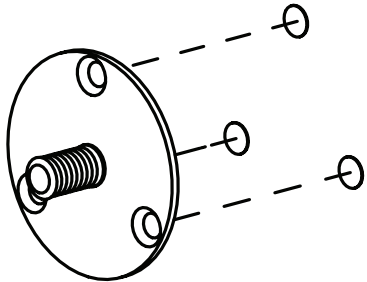
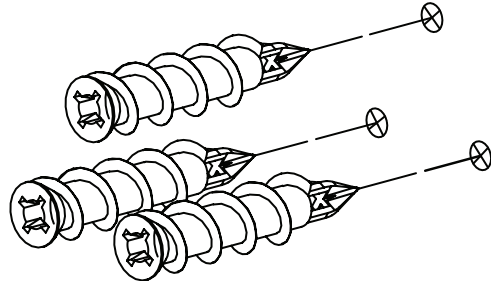


Toilet Paper Holder Installation Guide

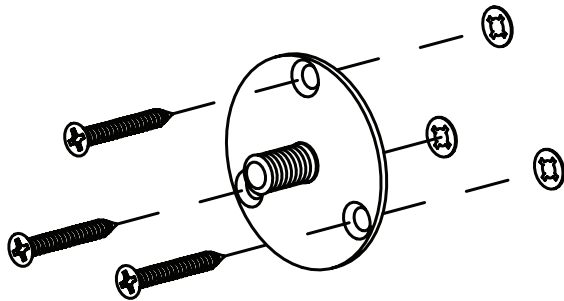
- 1** Mark Hole Locations
Using the mounting plate, mark the hole locations.



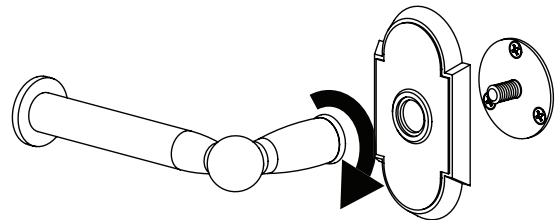
- 2** Install Screw Anchors
Use a screw driver to install three screw anchors into the wall



- 3** Install Mounting Plate
Secure mounting plate using screws provided



- 4** Install Trim Plate
Slip trim plate over the threaded stud on the mounting plate. Thread TP holder onto the threaded stud until tight against trim plate.



Trim Plates vary depending on style

- 5** Tighten Set Screw

Tighten set screw at base of post with Allen Wrench provided. Holder may be mounted vertically or horizontally.

