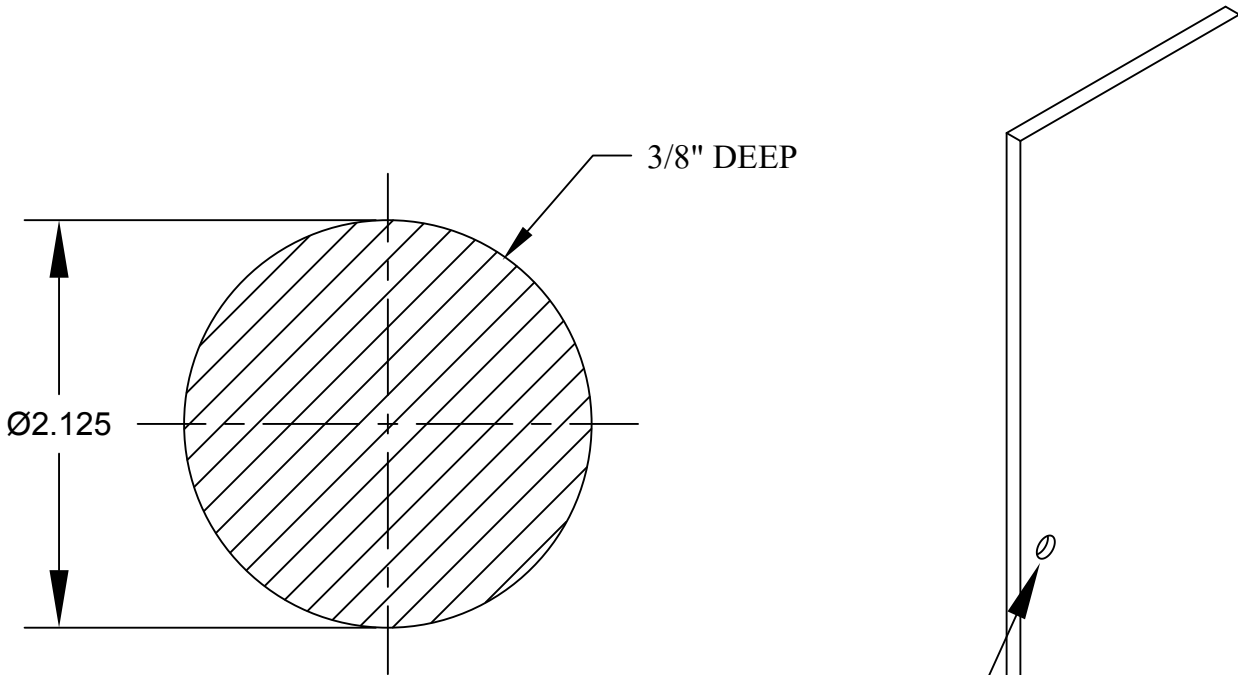
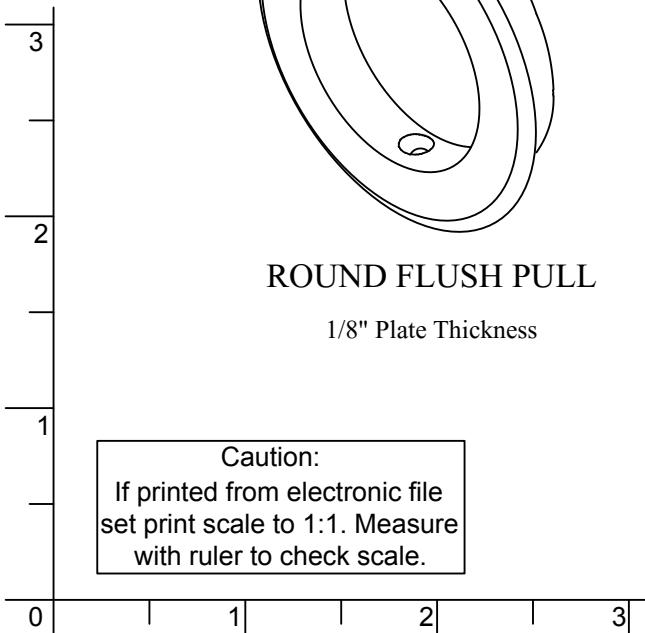
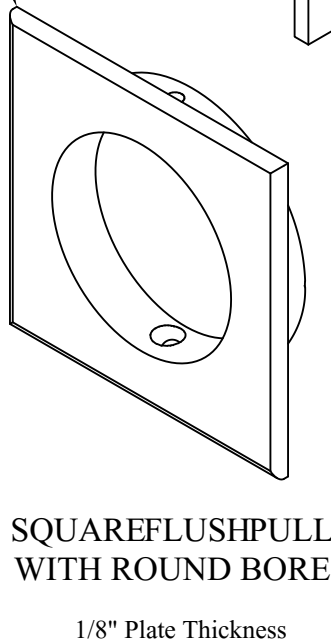
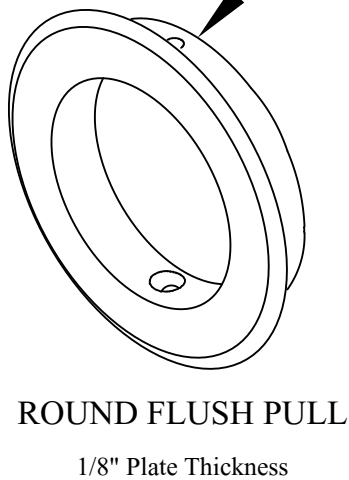


SQUARE/ROUND FLUSH PULL BORE HOLE PREPARATION



BORE OUT
FOR PULL



Caution:
If printed from electronic file
set print scale to 1:1. Measure
with ruler to check scale.