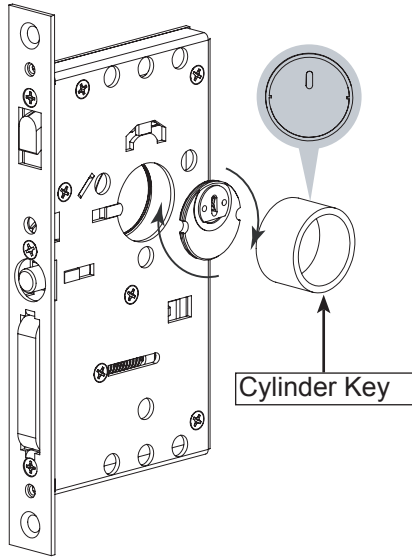


# Installation Guide: Sandcast Bronze Rustic Modern Rectangular Pocket Mortise Lock Keyed Function

## 1 Thread Drive Bar Cylinder

Use Cylinder Key to thread Drive Bar Cylinder clockwise on **interior side** of door.

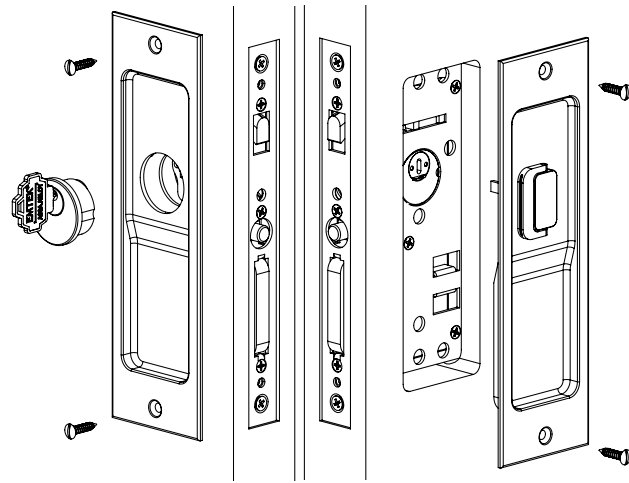


Note: Notches on cylinder must be parallel with the horizontal plane when fully screwed into lock body.

## 3 Install outside and inside plates

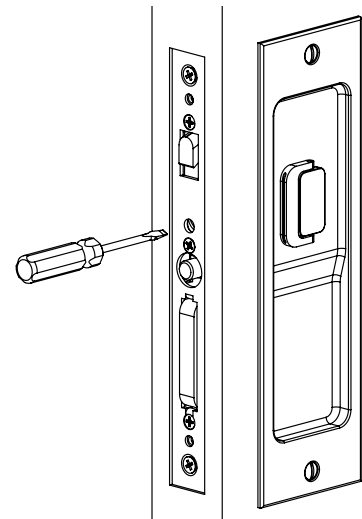
Outside

Inside

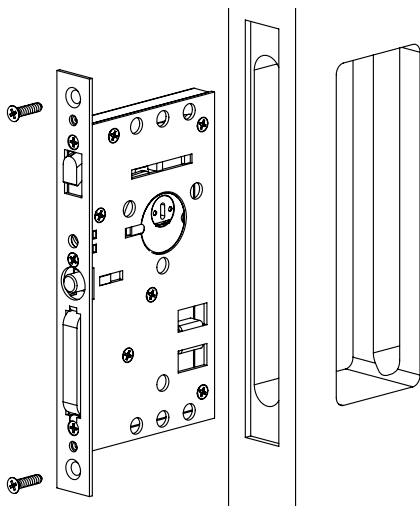


## 4 Tighten Key Cylinder

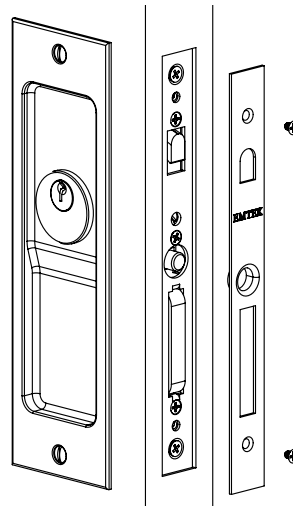
Tighten locking screw to engage notch on cylinder



## 2 Install Lock Body

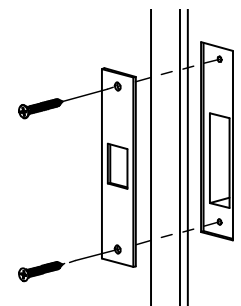


## 5 Install Trim Plate



## 6 Install Door Jamb

Drill two 7/64" pilot holes



See template for door jamb prep specifications