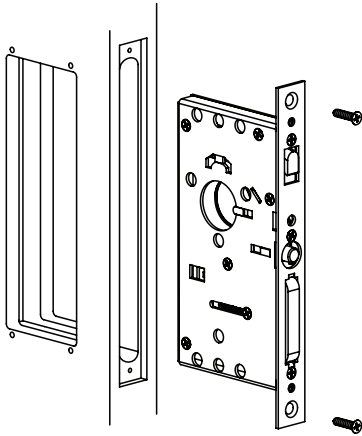
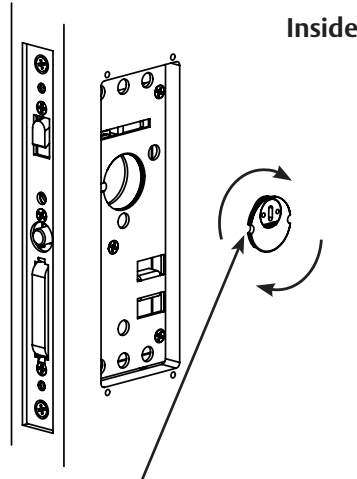


## 1 Install Lock Body



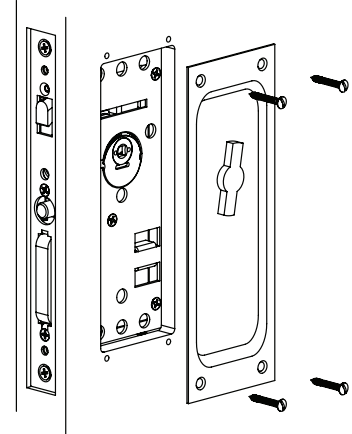
See template for door prep specifications

## 2 Install Drive Bar Cylinder

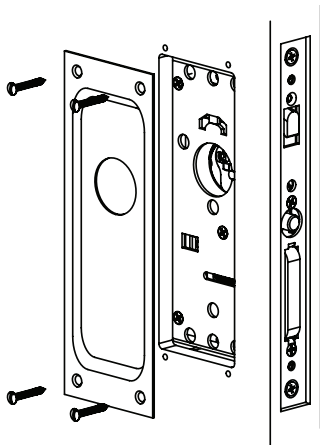


Note: Notch on cylinder must be in the 9 o'clock position when fully screwed into lock body.

## 3 Mount Inside Plate

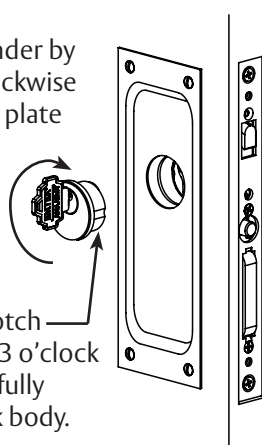


## 4 Mount Outside Plate



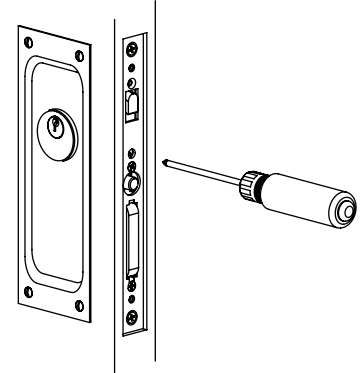
## 5 Thread Key Cylinder

Install Key Cylinder by threading it clockwise onto lock body plate



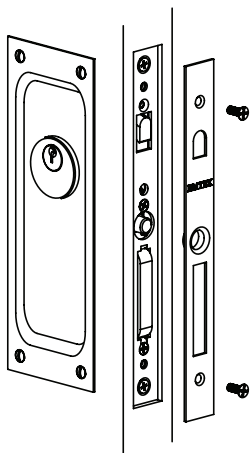
Key Cylinder notch must be at the 3 o'clock position when fully screwed in lock body.

## 6 Tighten Drive Bar Cylinder

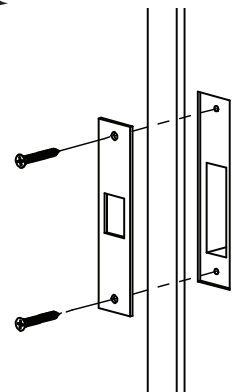


Tighten locking screw to engage notch on cylinder

## 7 Install Trim Plate



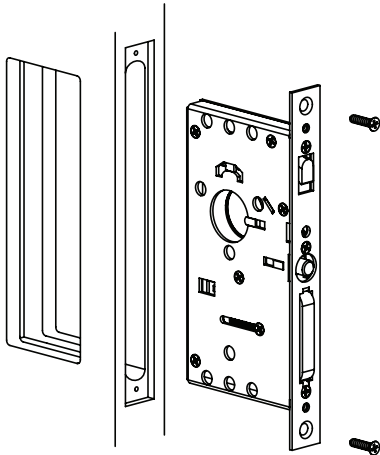
## 8 Install Door Jamb



Drill two 7/64" pilot holes

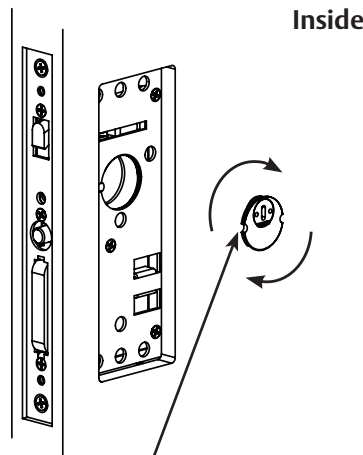
See template for door jamb prep specifications

## 1 Install Lock Body



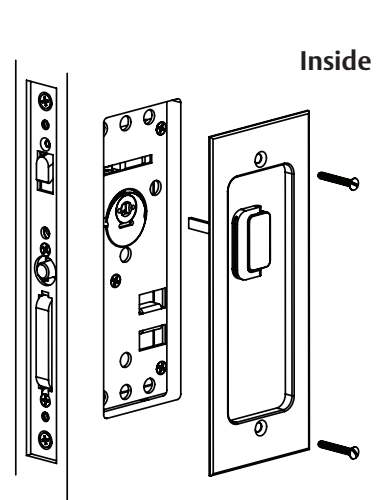
See template for door prep specifications

## 2 Install Drive Bar Cylinder



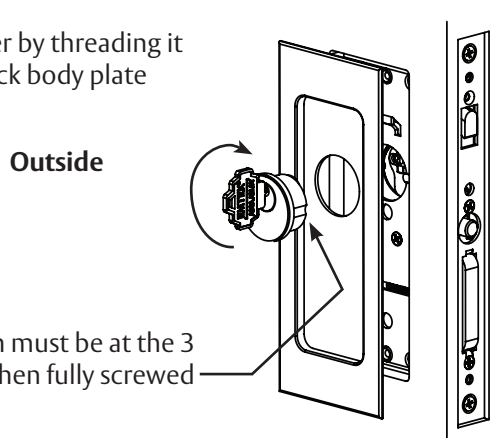
Note: Notch on cylinder must be in the 9 o'clock position when fully screwed into lock body.

## 3 Mount Inside Plate



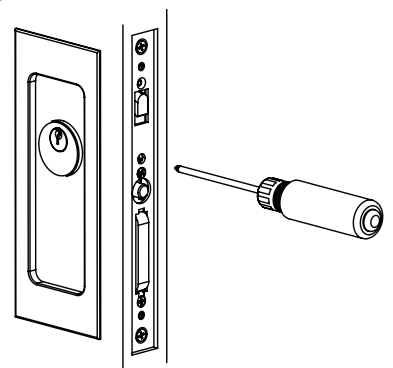
## 4 Mount Outside Plate and Thread Key Cylinder

Install Key Cylinder by threading it clockwise onto lock body plate



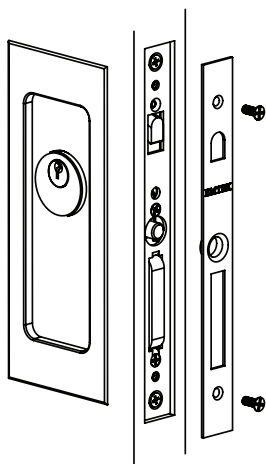
Key Cylinder notch must be at the 3 o'clock position when fully screwed in lock body.

## 5 Tighten Drive Bar Cylinder

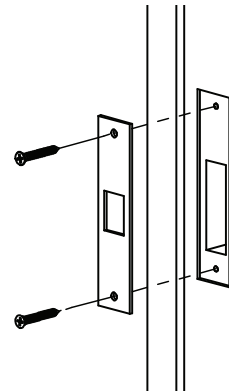


Tighten locking screw to engage notch on cylinder

## 6 Install Trim Plate



## 7 Install Door Jamb



Drill two 7/64" pilot holes

See template for door jamb prep specifications