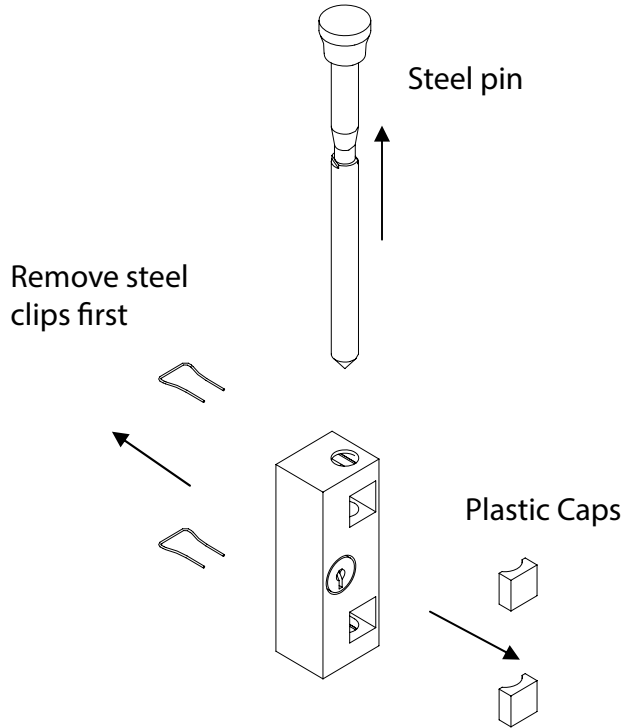


Installation Guide - Patio Door Lock

EMTEK[®]

1. Disassemble Lock Body



2. Install & Reassemble Lock

Use 5/32" drill two places to accept #10-32 sheet metal screws (provided)

