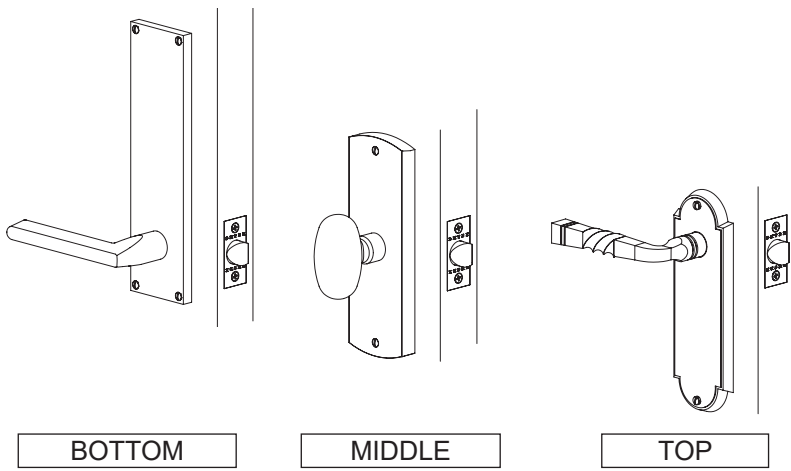
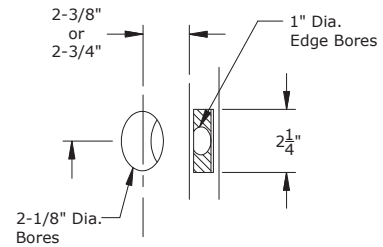


**IMPORTANT!:** Lever/Knob location on the sideplate (Top, middle, bottom) varies depending on style. Determine proper orientation **BEFORE** drilling holes.

1. Determine Lever/Knob location & plate orientation

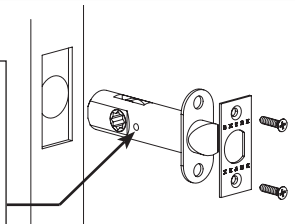


2. Door Prep



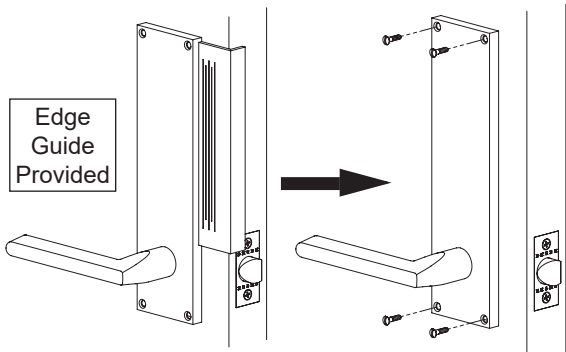
3. Install latch

For Privacy function: Threaded hole for the privacy pin must face the interior side of the door.



4. Install Inside Trim Plate

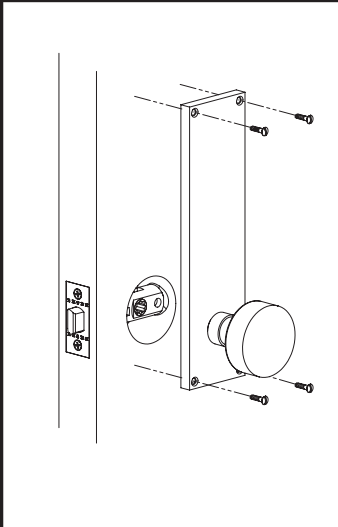
Prior to drilling holes, align side plate using Edge Guide (provided).



Edge Guide Provided

Plates and Lever/Knob vary depending on style

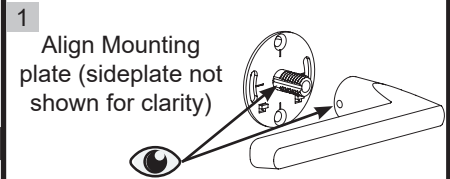
5. Install Outside Trim Plate



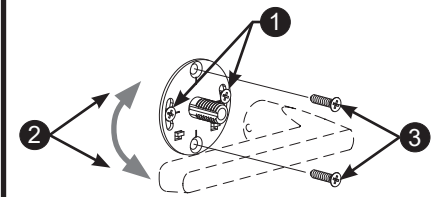
6. Tighten Lever/Knob

After lock has been installed tighten set screw with Allen Wrench.

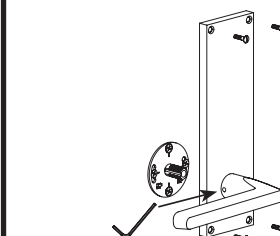
Dummy plate



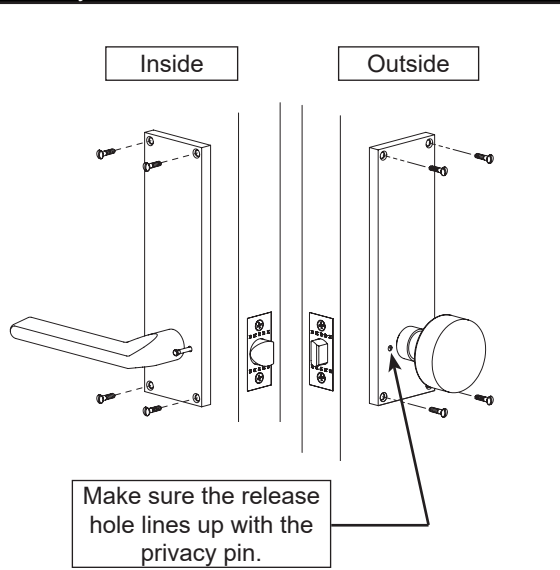
2. Install Mounting Plate & Adjust for level



3. Install Sideplate



Privacy Function



Make sure the release hole lines up with the privacy pin.

Optional Thru Bolts

Thru bolts (provided) may be used on hollow doors instead of wood screws (also provided).

