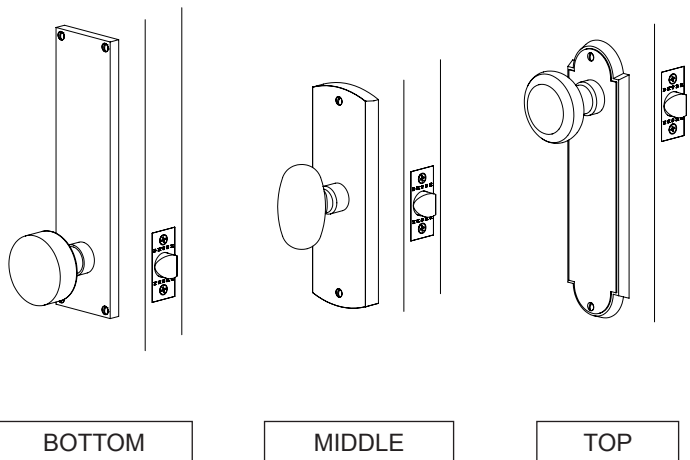
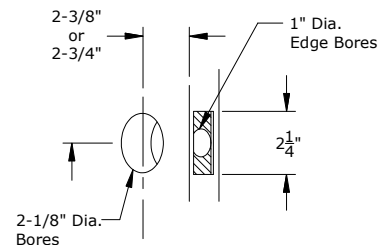


IMPORTANT!: Knob location on the sideplate (Top, middle, bottom) varies depending on style. Determine proper orientation BEFORE drilling holes.

1. Determine knob location & plate orientation

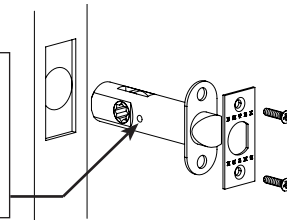


2. Door Prep



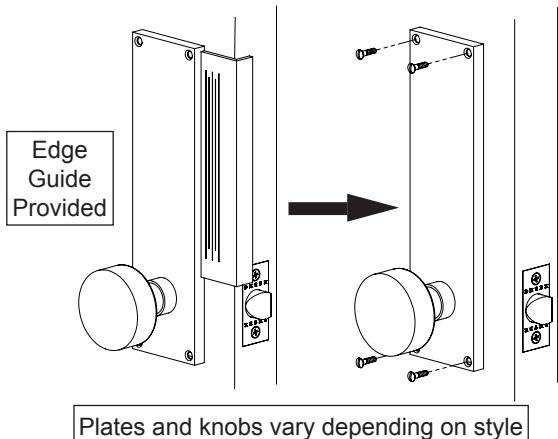
3. Install latch

For Privacy function: Threaded hole for the privacy pin must face the interior side of the door.

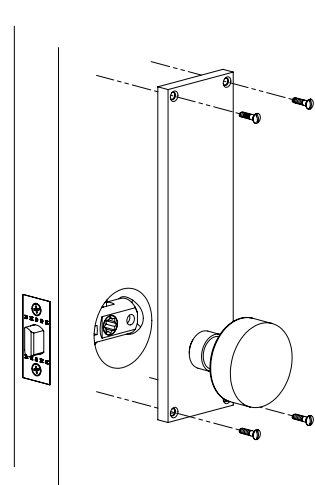


4. Mount Inside Trim Plate

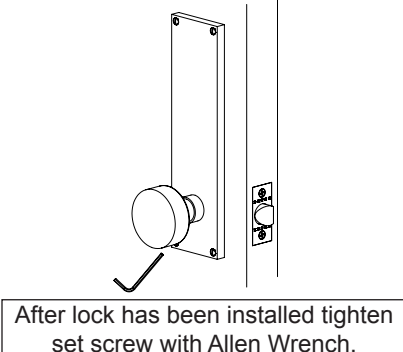
Prior to drilling holes, align side plate using Edge Guide (provided).



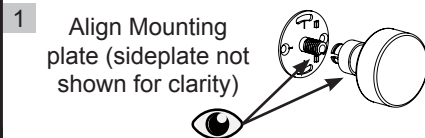
5. Mount Outside Trim Plate



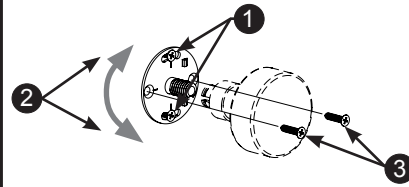
6. Tighten Knob



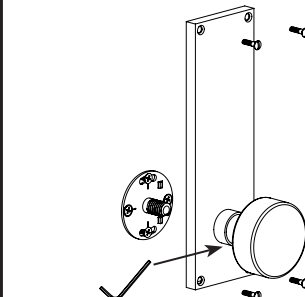
Dummy plate



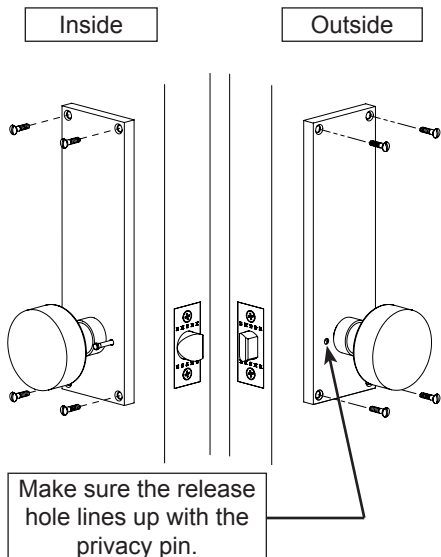
2 Install Mounting Plate & Adjust for level



3 Install Sideplate



Privacy Function



Optional Thru Bolts

Thru bolts (provided) may be used on hollow doors instead of wood screws (also provided).

