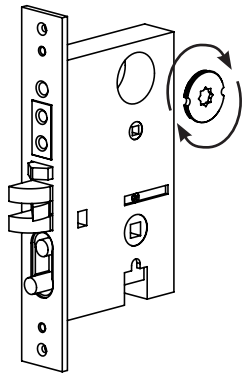


Installation Guide - UL Listed Mortise Lock: Knob by Knob, Lever by Lever - F20

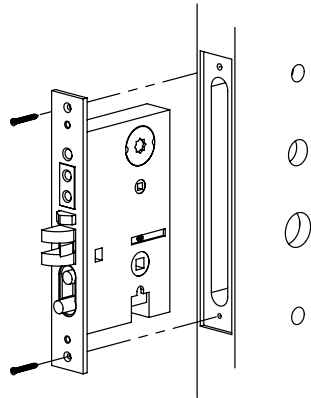
1. Install Cylinder Plug

Install cylinder plug by threading it clockwise onto lock body



Note: Notch on cylinder plug must be in the 9 o'clock position when fully screwed onto lock body.

2. Install Mortise Lock

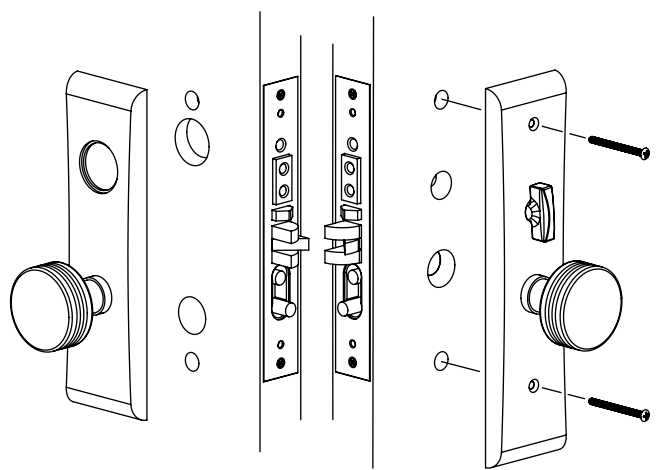


See template for door prep specifications

3. Mount Inside and Outside Trim to Door

Outside

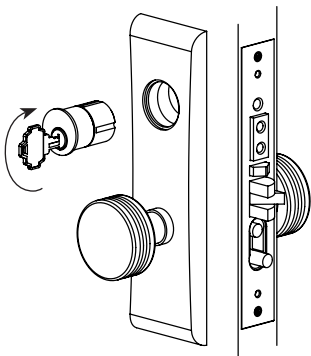
Inside



Plates and grip vary depending on style.

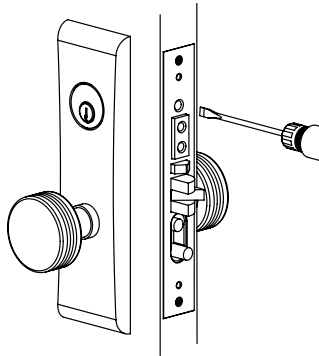
4. Install Key Cylinder

Install key 3/4 of the way into the key cylinder and thread it clockwise onto trim plate.

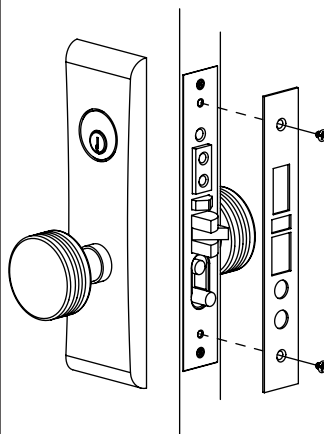


5. Tighten Key Cylinder

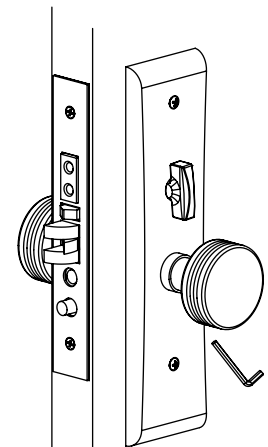
After key cylinder is installed, secure cylinder by tightening screw



6. Install Trim Plate

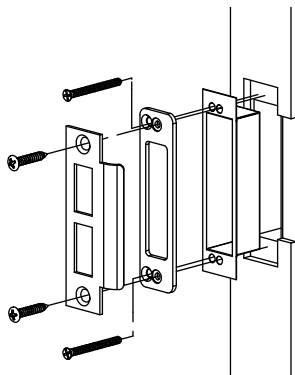


7. Tighten Inside Lever or Knob



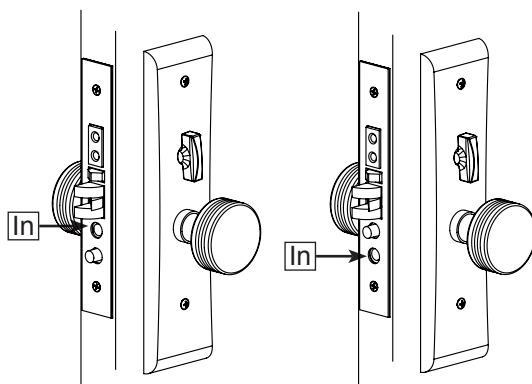
Tighten Lever with 3/32 Hex wrench (provided).

8. Install Door Jamb



See template for door jamb prep specifications

9. Passage/Privacy lock

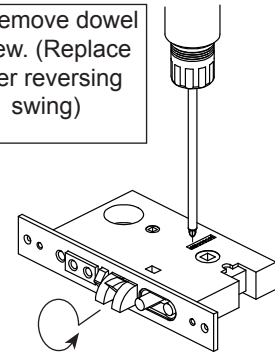


Locked

Unlocked

Instructions to reverse swing

1. Remove dowel screw. (Replace after reversing swing)



2. Pull out and rotate Latch bolt to reverse its direction.

