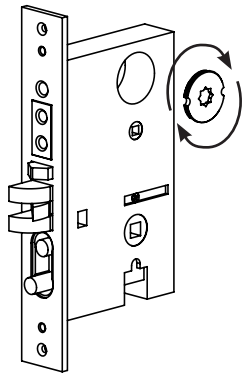


Installation Guide - F20 Mortise Lock

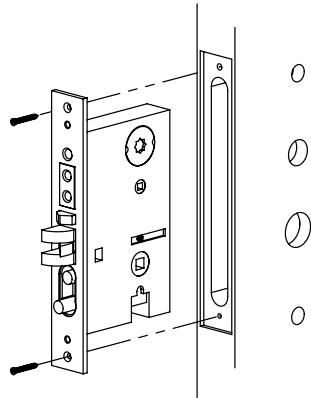
1. Install Cylinder Plug

Install cylinder plug by threading it clockwise onto lock body



Note: Notch on cylinder plug must be in the 9 o'clock position when fully screwed onto lock body.

2. Install Mortise Lock

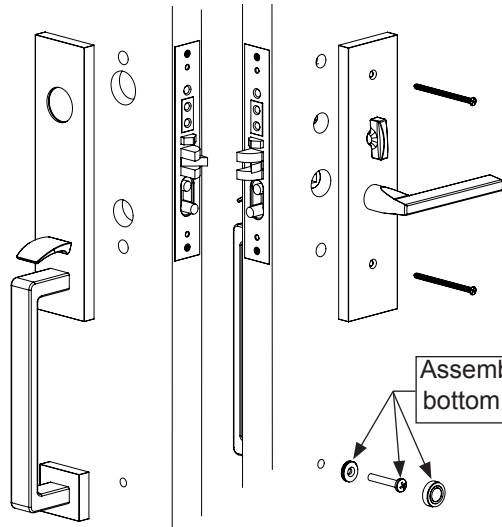


See template for door prep specifications

3. Mount Inside and Outside Trim to Door

Outside

Inside

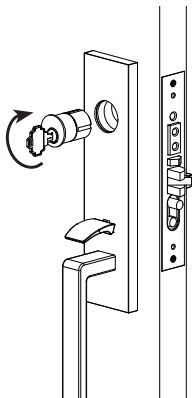


Assemble to bottom tube

Plates and grip vary depending on style.

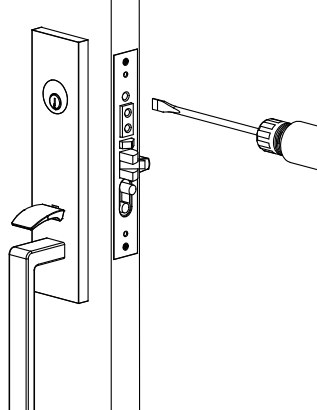
4. Install Key Cylinder

Install key 3/4 of the way into the key cylinder and thread it clockwise onto trim plate.

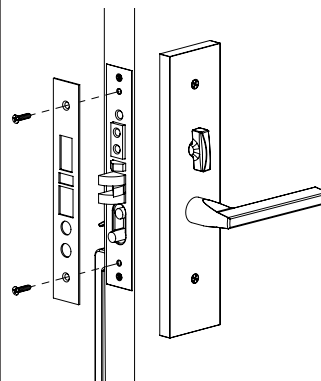


5. Tighten Key Cylinder

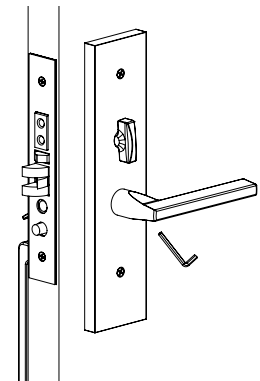
After key cylinder is installed, secure cylinder by tightening screw



6. Install Trim Plate

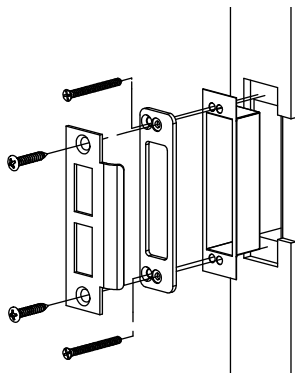


7. Tighten Inside Lever or Knob



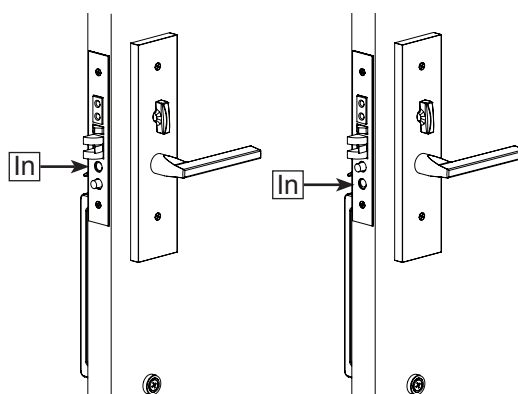
Tighten Lever with 3/32 Hex wrench (provided).

8. Install Door Jamb



See template for door jamb prep specifications

9. Passage/Privacy lock

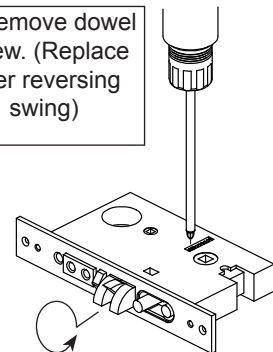


Thumb press Locked

Thumb press Unlocked

Instructions to reverse swing

1. Remove dowel screw. (Replace after reversing swing)



2. Pull out and rotate Latch bolt to reverse its direction.

