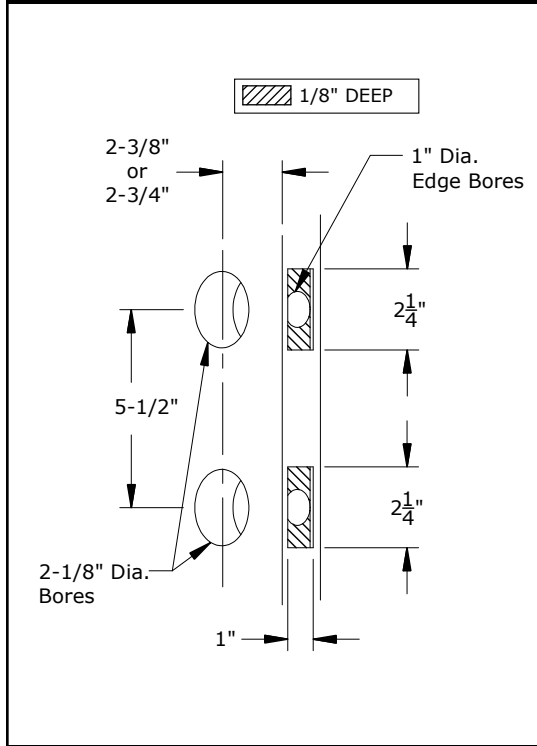
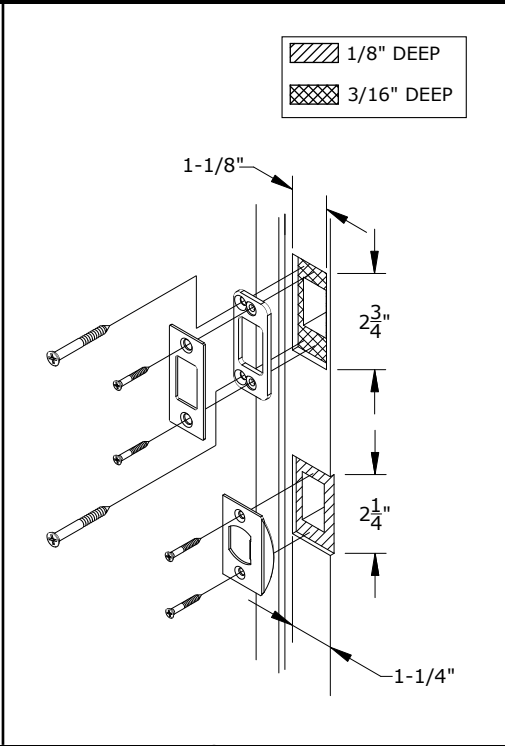
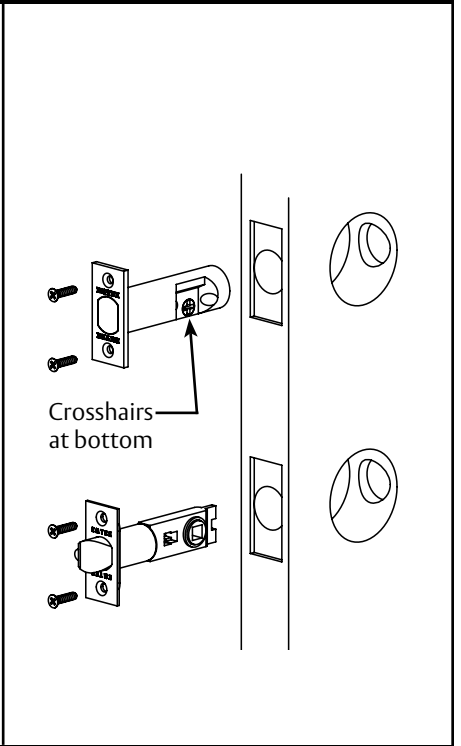
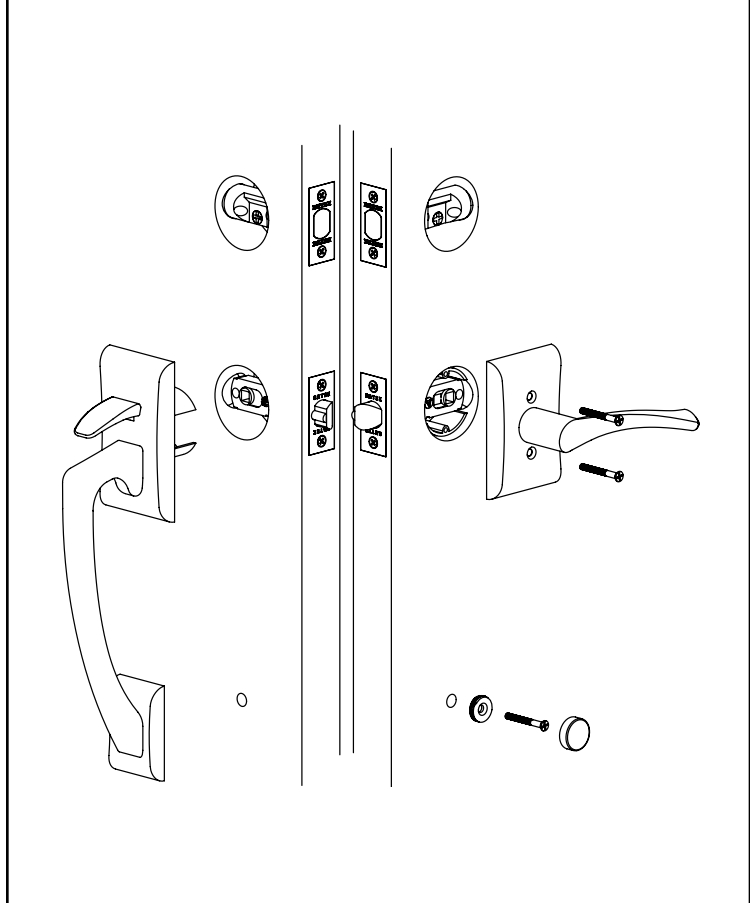


Installation Guide - Electronic Keypad Entry Set

1. Door Prep	2. Door Jamb Prep	3. Install Latches
 <p>1/8" DEEP</p> <p>2-3/8" or 2-3/4"</p> <p>1" Dia. Edge Bores</p> <p>2-1/4"</p> <p>2-1/4"</p> <p>5-1/2"</p> <p>2-1/8" Dia. Bores</p> <p>1"</p>	 <p>1/8" DEEP</p> <p>3/16" DEEP</p> <p>1-1/8"</p> <p>2-3/4"</p> <p>2-1/4"</p> <p>1-1/4"</p>	 <p>Crosshairs at bottom</p>
4. Install Grip and Interior Lever	5. Install Electronic Lock	
<p>Handles and Lever/knob vary depending on style</p>	<p>Electronic Deadbolt varies depending on style</p>	
	<p>Install Electronic Deadbolt per installation and programming guide (provided).</p> 