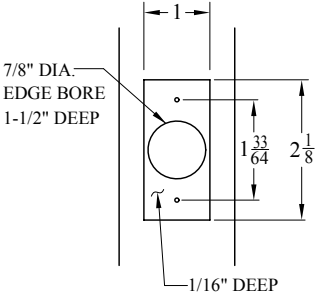
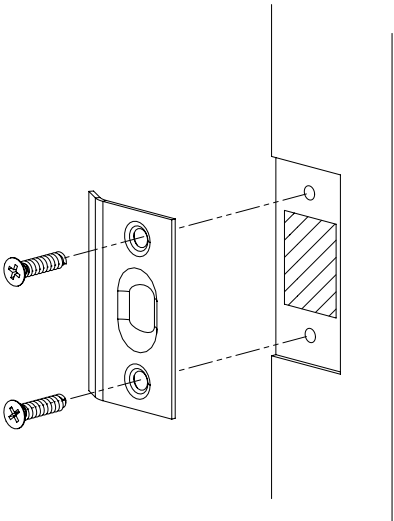
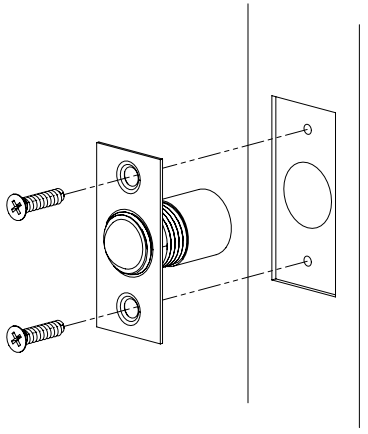
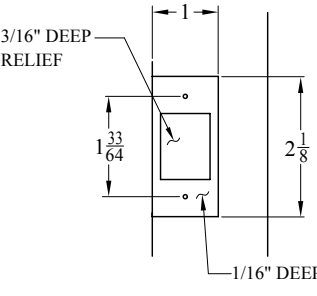


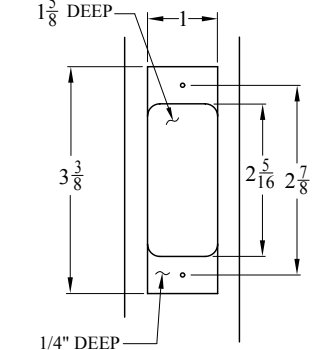
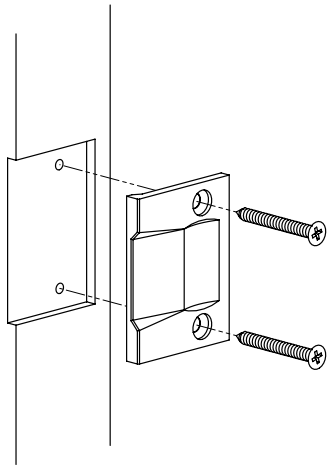
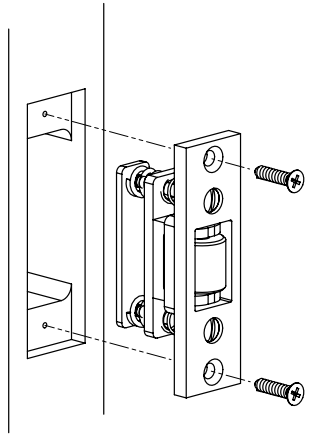
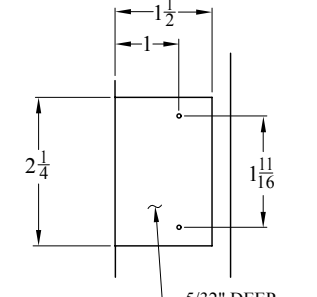
# Installation Guide - Ball Catch

EMTEK®

Door Prep	Install Strike Plate	Install Ball Catch
 <p>7/8" DIA. EDGE BORE 1-1/2" DEEP 1/16" DEEP</p>	<p>Install Strike Plate</p> 	<p>Install Ball Catch</p> 
Door Jamb Prep		
 <p>3/16" DEEP RELIEF 1/16" DEEP</p>		

# Installation Instructions - Roller Catch

EMTEK®

Door Prep	Install Strike Plate	Install Roller Catch
 <p>1 5/8" DEEP 1/4" DEEP</p>	<p>Install Strike Plate</p> 	<p>Install Roller Catch</p> 
Door Jamb Prep		
 <p>5/32" DEEP</p>		