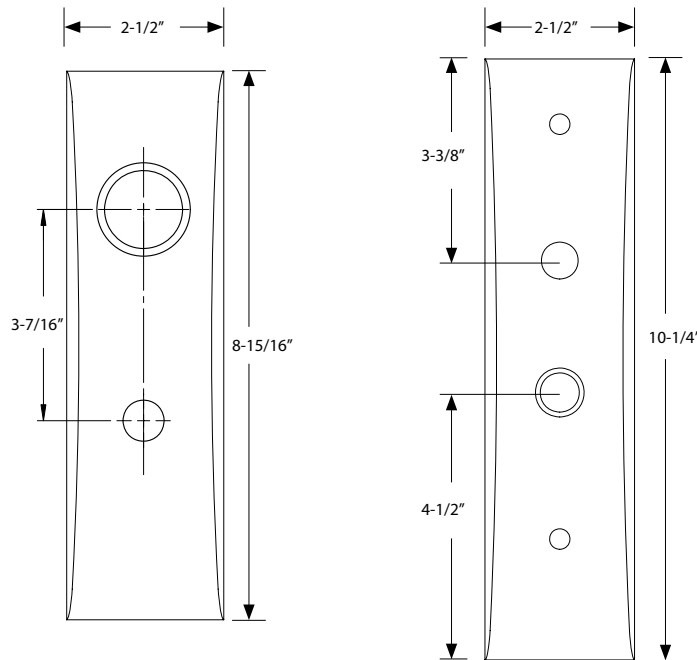


Door Thickness Specifications		
<p>Standard Door Thickness: 1-3/4"</p> <p>Standard Components:</p> <ul style="list-style-type: none"> • 1-3/8" Threaded Cylinder • 2" Long Spindle • 2" Top Rosette Screw • 1-1/2" Bottom Rosette Screw • Thumbpress • Strikeplate 	<p>Extended Door Thickness: 1-7/8" - 2-1/4"</p> <p>Extended Components:</p> <ul style="list-style-type: none"> • 1-1/2" Threaded Cylinder • 2" Long Spindle • 2-1/2" Top Rosette Screw • 2" Bottom Rosette Screw • Thumbpress • Strikeplate 	<p>Extended Door Thickness: 2-3/8" - 2-3/4"</p> <p>Extended Components:</p> <ul style="list-style-type: none"> • 1-3/4" Threaded Cylinder • 2-1/4" Long Spindle • 2-1/2" Top Rosette Screw • 2" Bottom Rosette Screw • Extended Thumbpress • Extended Strikeplate



Door Thickness Specifications

Standard Door Thickness: 1-3/4"

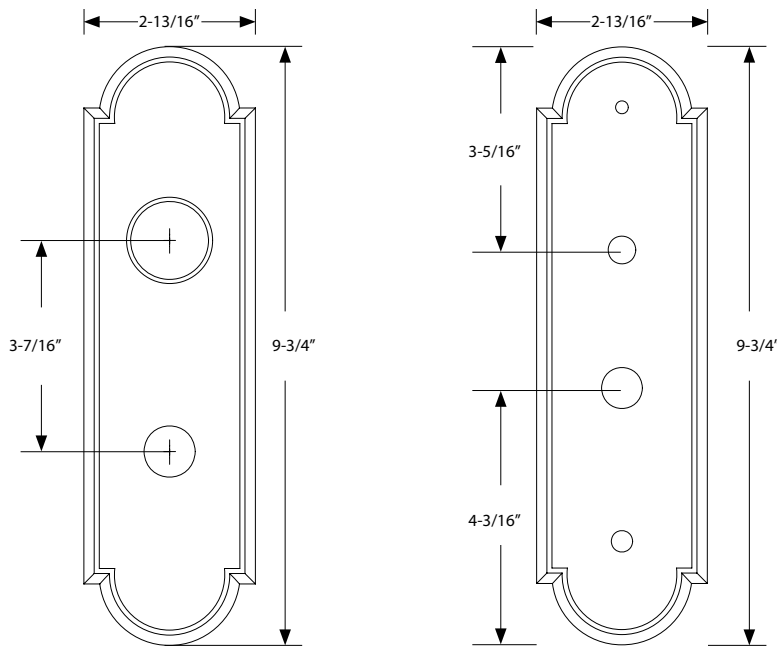
- Standard Components:
- 1-3/8" Threaded Cylinder
 - 2" Long Spindle
 - 2" Top Rosette Screw
 - 1-1/2" Bottom Rosette Screw
 - Thumbpress
 - Strikeplate

Extended Door Thickness: 1-7/8" - 2-1/4"

- Extended Components:
- 1-1/2" Threaded Cylinder
 - 2" Long Spindle
 - 2-1/2" Top Rosette Screw
 - 2" Bottom Rosette Screw
 - Thumbpress
 - Strikeplate

Extended Door Thickness: 2-3/8" - 2-3/4"

- Extended Components:
- 1-3/4" Threaded Cylinder
 - 2-1/4" Long Spindle
 - 2-1/2" Top Rosette Screw
 - 2" Bottom Rosette Screw
 - Extended Thumbpress
 - Extended Strikeplate



Door Thickness Specifications

Standard Door Thickness: 1-3/4"

Standard Components:

- 1-3/8" Threaded Cylinder
- 2" Long Spindle
- 2" Top Rosette Screw
- 1-1/2" Bottom Rosette Screw
- Thumbpress
- Strikeplate

Extended Door Thickness: 1-7/8" - 2-1/4"

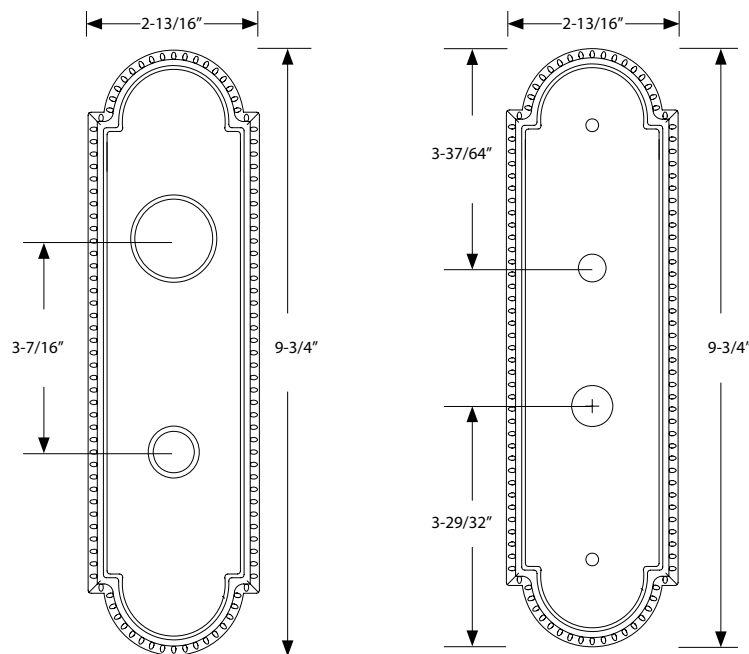
Extended Components:

- 1-1/2" Threaded Cylinder
- 2" Long Spindle
- 2-1/2" Top Rosette Screw
- 2" Bottom Rosette Screw
- Thumbpress
- Strikeplate

Extended Door Thickness: 2-3/8" - 2-3/4"

Extended Components:

- 1-3/4" Threaded Cylinder
- 2-1/4" Long Spindle
- 2-1/2" Top Rosette Screw
- 2" Bottom Rosette Screw
- Extended Thumbpress
- Extended Strikeplate



Door Thickness Specifications

Standard Door Thickness: 1-3/4"

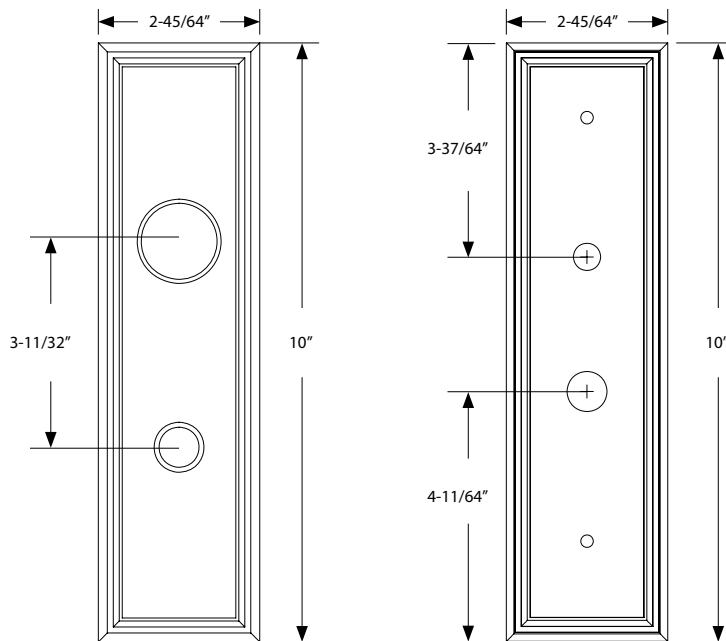
- Standard Components:
- 1-3/8" Threaded Cylinder
 - 2" Long Spindle
 - 2" Top Rosette Screw
 - 1-1/2" Bottom Rosette Screw
 - Thumbpress
 - Strikeplate

Extended Door Thickness: 1-7/8" - 2-1/4"

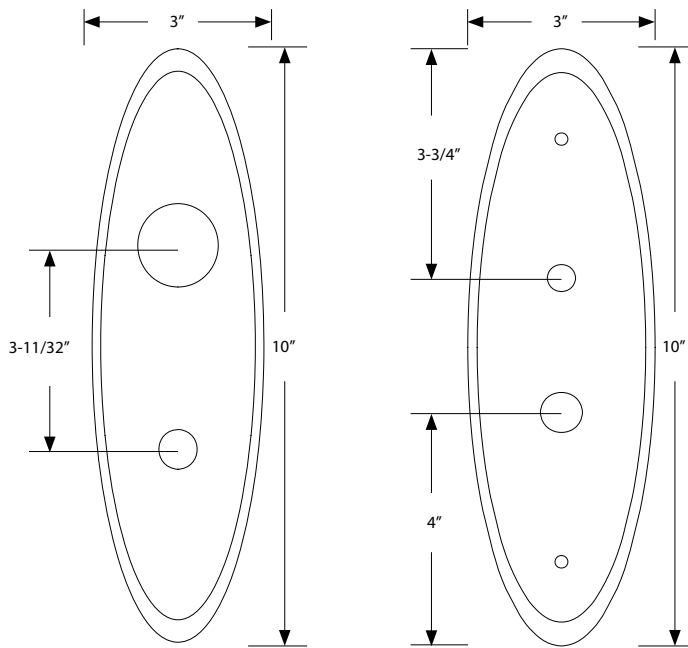
- Extended Components:
- 1-1/2" Threaded Cylinder
 - 2" Long Spindle
 - 2-1/2" Top Rosette Screw
 - 2" Bottom Rosette Screw
 - Thumbpress
 - Strikeplate

Extended Door Thickness: 2-3/8" - 2-3/4"

- Extended Components:
- 1-3/4" Threaded Cylinder
 - 2-1/4" Long Spindle
 - 2-1/2" Top Rosette Screw
 - 2" Bottom Rosette Screw
 - Extended Thumbpress
 - Extended Strikeplate



Door Thickness Specifications		
<p>Standard Door Thickness: 1-3/4"</p> <p>Standard Components:</p> <ul style="list-style-type: none"> • 1-3/8" Threaded Cylinder • 2" Long Spindle • 2" Top Rosette Screw • 1-1/2" Bottom Rosette Screw • Thumbpress • Strikeplate 	<p>Extended Door Thickness: 1-7/8" - 2-1/4"</p> <p>Extended Components:</p> <ul style="list-style-type: none"> • 1-1/2" Threaded Cylinder • 2" Long Spindle • 2-1/2" Top Rosette Screw • 2" Bottom Rosette Screw • Thumbpress • Strikeplate 	<p>Extended Door Thickness: 2-3/8" - 2-3/4"</p> <p>Extended Components:</p> <ul style="list-style-type: none"> • 1-3/4" Threaded Cylinder • 2-1/4" Long Spindle • 2-1/2" Top Rosette Screw • 2" Bottom Rosette Screw • Extended Thumbpress • Extended Strikeplate



Door Thickness Specifications

Standard Door Thickness: 1-3/4"

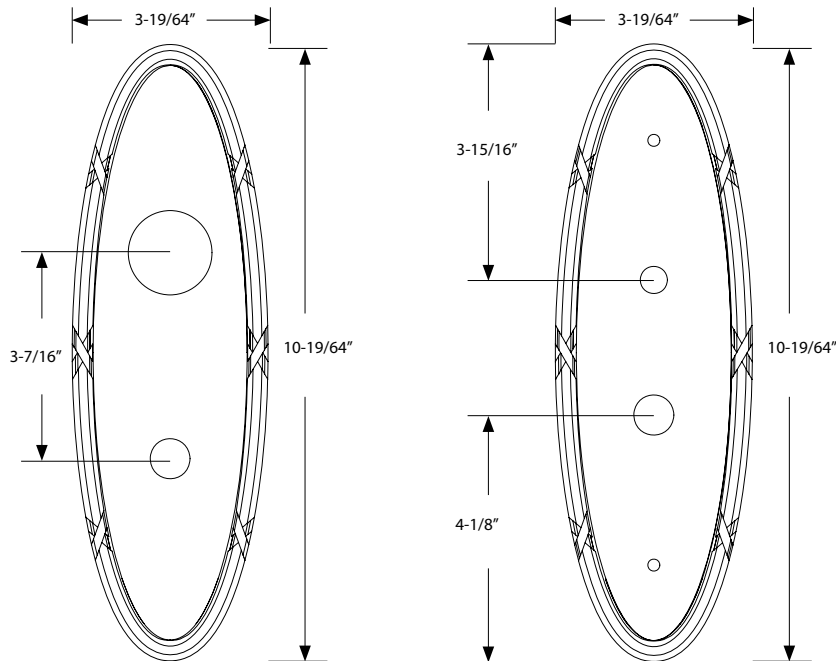
- Standard Components:
- 1-3/8" Threaded Cylinder
 - 2" Long Spindle
 - 2" Top Rosette Screw
 - 1-1/2" Bottom Rosette Screw
 - Thumbpress
 - Strikeplate

Extended Door Thickness: 1-7/8" - 2-1/4"

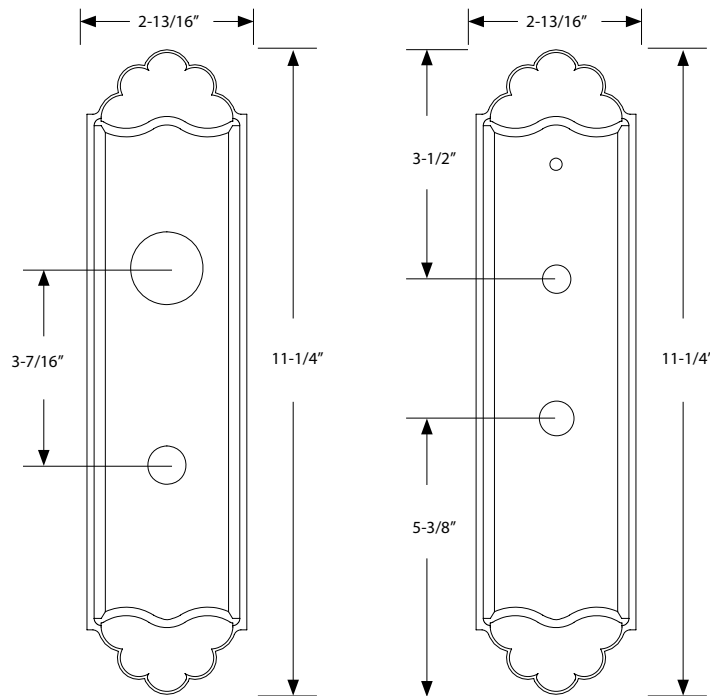
- Extended Components:
- 1-1/2" Threaded Cylinder
 - 2" Long Spindle
 - 2-1/2" Top Rosette Screw
 - 2" Bottom Rosette Screw
 - Thumbpress
 - Strikeplate

Extended Door Thickness: 2-3/8" - 2-3/4"

- Extended Components:
- 1-3/4" Threaded Cylinder
 - 2-1/4" Long Spindle
 - 2-1/2" Top Rosette Screw
 - 2" Bottom Rosette Screw
 - Extended Thumbpress
 - Extended Strikeplate



Door Thickness Specifications		
<p>Standard Door Thickness: 1-3/4"</p> <p>Standard Components:</p> <ul style="list-style-type: none"> • 1-3/8" Threaded Cylinder • 2" Long Spindle • 2" Top Rosette Screw • 1-1/2" Bottom Rosette Screw • Thumbpress • Strikeplate 	<p>Extended Door Thickness: 1-7/8" - 2-1/4"</p> <p>Extended Components:</p> <ul style="list-style-type: none"> • 1-1/2" Threaded Cylinder • 2" Long Spindle • 2-1/2" Top Rosette Screw • 2" Bottom Rosette Screw • Thumbpress • Strikeplate 	<p>Extended Door Thickness: 2-3/8" - 2-3/4"</p> <p>Extended Components:</p> <ul style="list-style-type: none"> • 1-3/4" Threaded Cylinder • 2-1/4" Long Spindle • 2-1/2" Top Rosette Screw • 2" Bottom Rosette Screw • Extended Thumbpress • Extended Strikeplate



Door Thickness Specifications

Standard Door Thickness: 1-3/4"

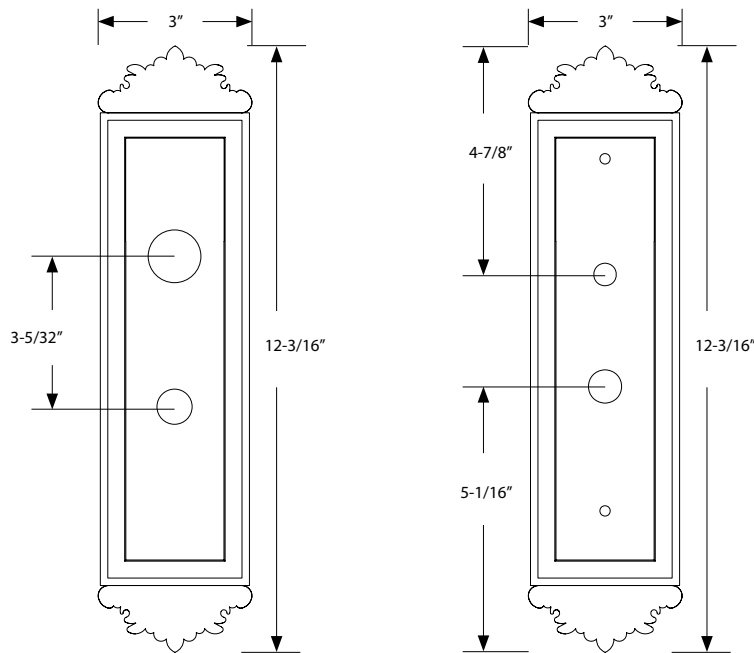
- Standard Components:
- 1-3/8" Threaded Cylinder
 - 2" Long Spindle
 - 2" Top Rosette Screw
 - 1-1/2" Bottom Rosette Screw
 - Thumbpress
 - Strikeplate

Extended Door Thickness: 1-7/8" - 2-1/4"

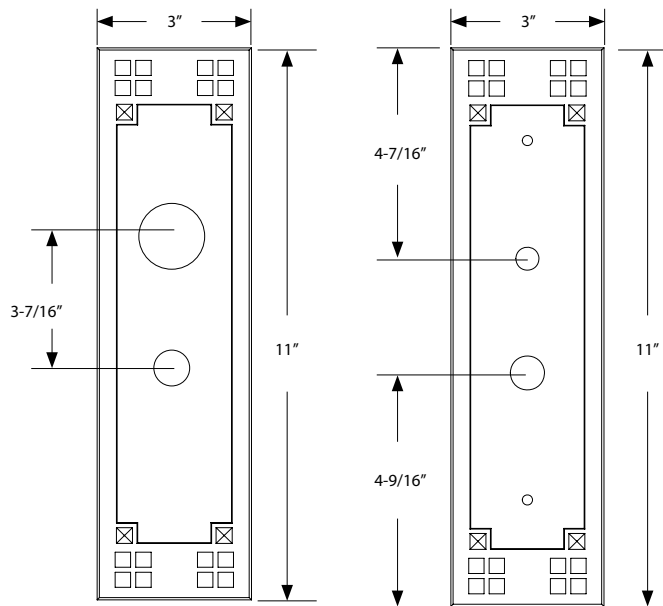
- Extended Components:
- 1-1/2" Threaded Cylinder
 - 2" Long Spindle
 - 2-1/2" Top Rosette Screw
 - 2" Bottom Rosette Screw
 - Thumbpress
 - Strikeplate

Extended Door Thickness: 2-3/8" - 2-3/4"

- Extended Components:
- 1-3/4" Threaded Cylinder
 - 2-1/4" Long Spindle
 - 2-1/2" Top Rosette Screw
 - 2" Bottom Rosette Screw
 - Extended Thumbpress
 - Extended Strikeplate



Door Thickness Specifications		
<p>Standard Door Thickness: 1-3/4"</p> <p>Standard Components:</p> <ul style="list-style-type: none"> • 1-3/8" Threaded Cylinder • 2" Long Spindle • 2" Top Rosette Screw • 1-1/2" Bottom Rosette Screw • Thumbpress • Strikeplate 	<p>Extended Door Thickness: 1-7/8" - 2-1/4"</p> <p>Extended Components:</p> <ul style="list-style-type: none"> • 1-1/2" Threaded Cylinder • 2" Long Spindle • 2-1/2" Top Rosette Screw • 2" Bottom Rosette Screw • Thumbpress • Strikeplate 	<p>Extended Door Thickness: 2-3/8" - 2-3/4"</p> <p>Extended Components:</p> <ul style="list-style-type: none"> • 1-3/4" Threaded Cylinder • 2-1/4" Long Spindle • 2-1/2" Top Rosette Screw • 2" Bottom Rosette Screw • Extended Thumbpress • Extended Strikeplate



Door Thickness Specifications

Standard Door Thickness: 1-3/4"

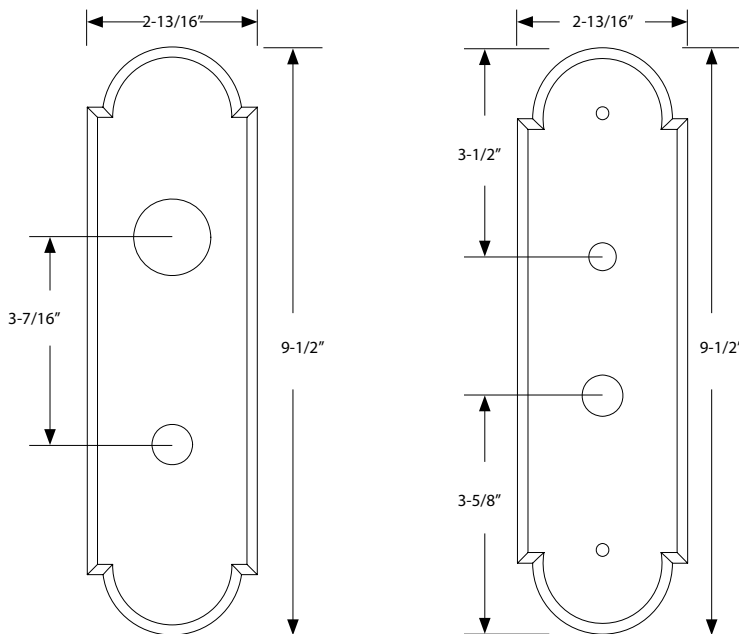
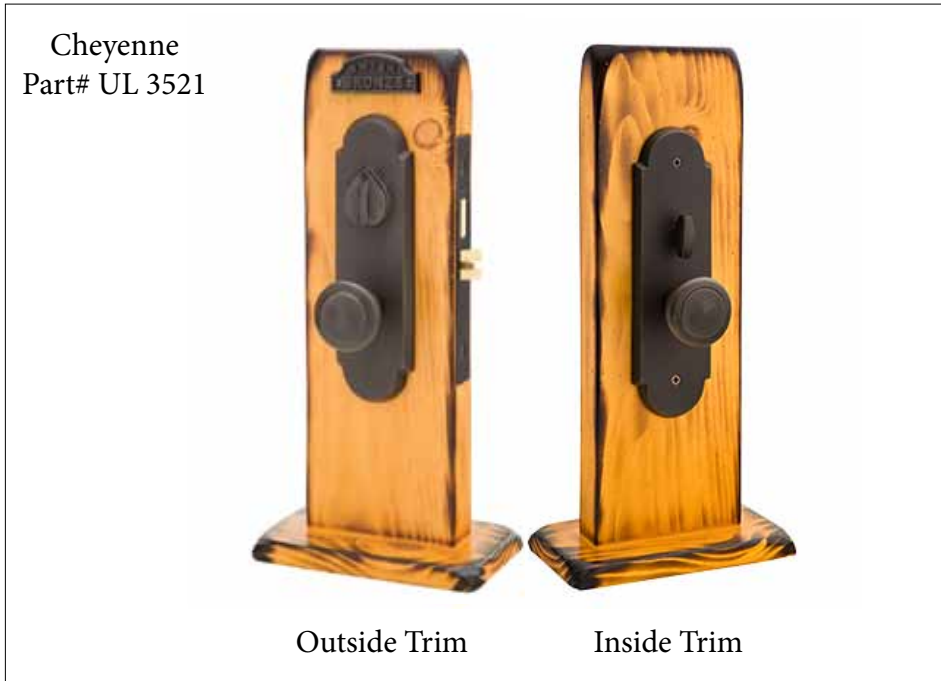
- Standard Components:
- 1-3/8" Threaded Cylinder
 - 2" Long Spindle
 - 2" Top Rosette Screw
 - 1-1/2" Bottom Rosette Screw
 - Thumbpress
 - Strikeplate

Extended Door Thickness: 1-7/8" - 2-1/4"

- Extended Components:
- 1-1/2" Threaded Cylinder
 - 2" Long Spindle
 - 2-1/2" Top Rosette Screw
 - 2" Bottom Rosette Screw
 - Thumbpress
 - Strikeplate

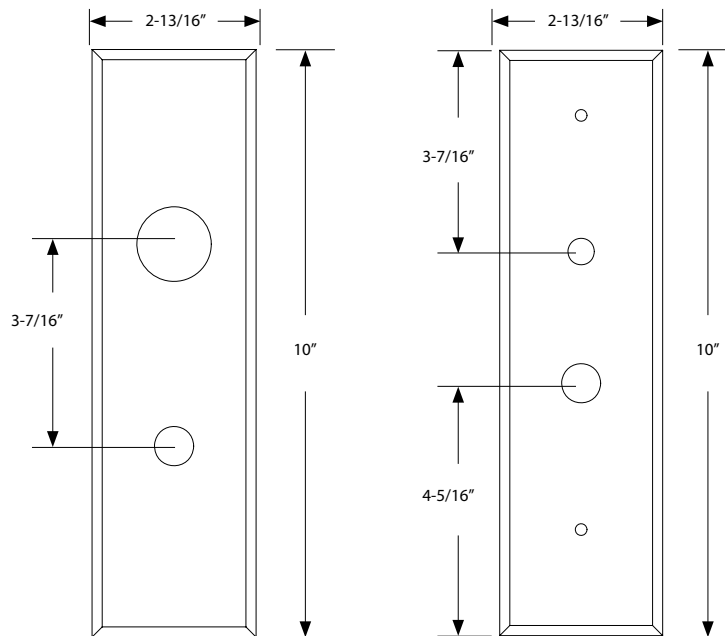
Extended Door Thickness: 2-3/8" - 2-3/4"

- Extended Components:
- 1-3/4" Threaded Cylinder
 - 2-1/4" Long Spindle
 - 2-1/2" Top Rosette Screw
 - 2" Bottom Rosette Screw
 - Extended Thumbpress
 - Extended Strikeplate



Door Thickness Specifications

<p>Standard Door Thickness: 1-3/4"</p> <p>Standard Components:</p> <ul style="list-style-type: none"> • 1-3/8" Threaded Cylinder • 2" Long Spindle • 2" Top Rosette Screw • 1-1/2" Bottom Rosette Screw • Thumbpress • Strikeplate 	<p>Extended Door Thickness: 1-7/8" - 2-1/4"</p> <p>Extended Components:</p> <ul style="list-style-type: none"> • 1-1/2" Threaded Cylinder • 2" Long Spindle • 2-1/2" Top Rosette Screw • 2" Bottom Rosette Screw • Thumbpress • Strikeplate 	<p>Extended Door Thickness: 2-3/8" - 2-5/8"</p> <p>Extended Components:</p> <ul style="list-style-type: none"> • 1-3/4" Threaded Cylinder • 2-1/4" Long Spindle • 2-1/2" Top Rosette Screw • 2" Bottom Rosette Screw • Extended Thumbpress • Extended Strikeplate • 2-3/4" TD Requires 2" Threaded Cylinder
---	--	--



Door Thickness Specifications

Standard Door Thickness: 1-3/4"

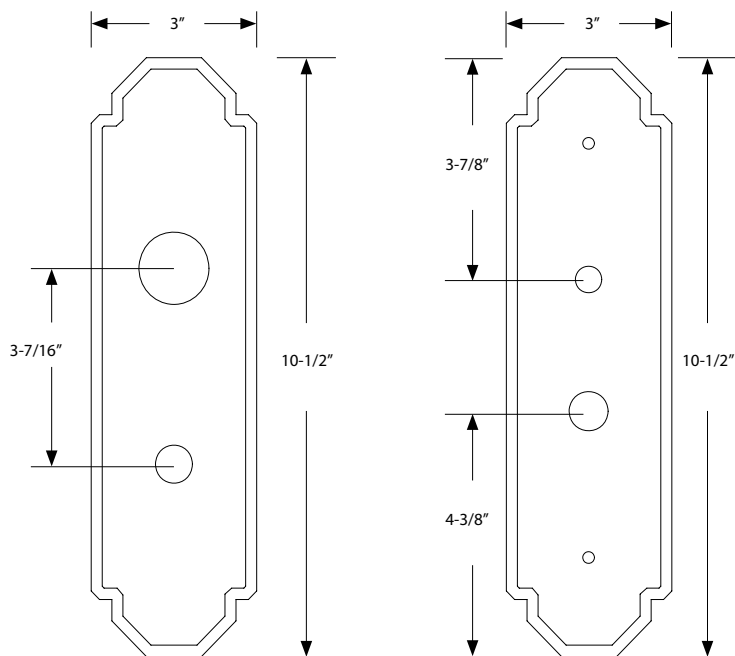
- Standard Components:
- 1-3/8" Threaded Cylinder
 - 2" Long Spindle
 - 2" Top Rosette Screw
 - 1-1/2" Bottom Rosette Screw
 - Thumbpress
 - Strikeplate

Extended Door Thickness: 1-7/8" - 2-1/4"

- Extended Components:
- 1-1/2" Threaded Cylinder
 - 2" Long Spindle
 - 2-1/2" Top Rosette Screw
 - 2" Bottom Rosette Screw
 - Thumbpress
 - Strikeplate

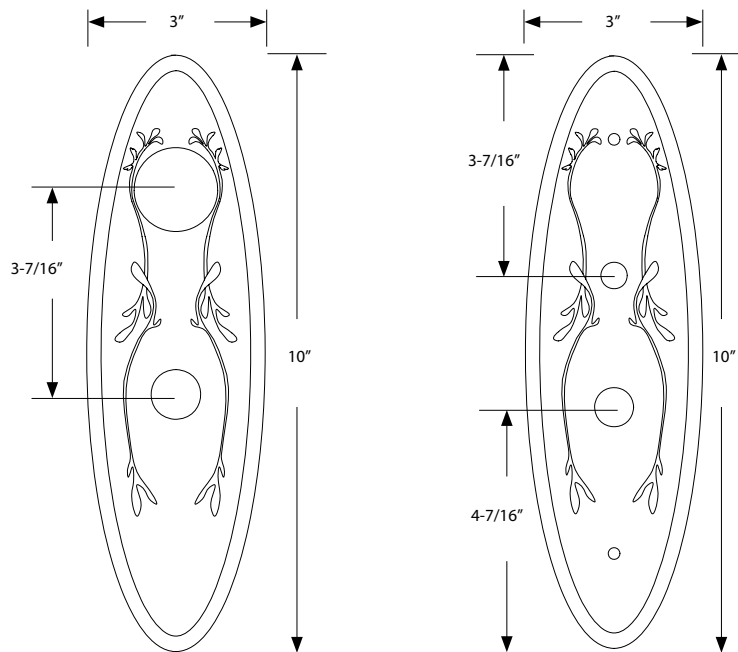
Extended Door Thickness: 2-3/8" - 2-5/8"

- Extended Components:
- 1-3/4" Threaded Cylinder
 - 2-1/4" Long Spindle
 - 2-1/2" Top Rosette Screw
 - 2" Bottom Rosette Screw
 - Extended Thumbpress
 - Extended Strikeplate
 - **2-3/4" TD Requires 2" Threaded Cylinder**



Door Thickness Specifications

<p>Standard Door Thickness: 1-3/4" Standard Components:</p> <ul style="list-style-type: none"> • 1-3/8" Threaded Cylinder • 2" Long Spindle • 2" Top Rosette Screw • 1-1/2" Bottom Rosette Screw • Thumbpress • Strikeplate 	<p>Extended Door Thickness: 1-7/8" - 2-1/4" Extended Components:</p> <ul style="list-style-type: none"> • 1-1/2" Threaded Cylinder • 2" Long Spindle • 2-1/2" Top Rosette Screw • 2" Bottom Rosette Screw • Thumbpress • Strikeplate 	<p>Extended Door Thickness: 2-3/8" - 2-5/8" Extended Components:</p> <ul style="list-style-type: none"> • 1-3/4" Threaded Cylinder • 2-1/4" Long Spindle • 2-1/2" Top Rosette Screw • 2" Bottom Rosette Screw • Extended Thumbpress • Extended Strikeplate • 2-3/4" TD Requires 2" Threaded Cylinder
--	---	---



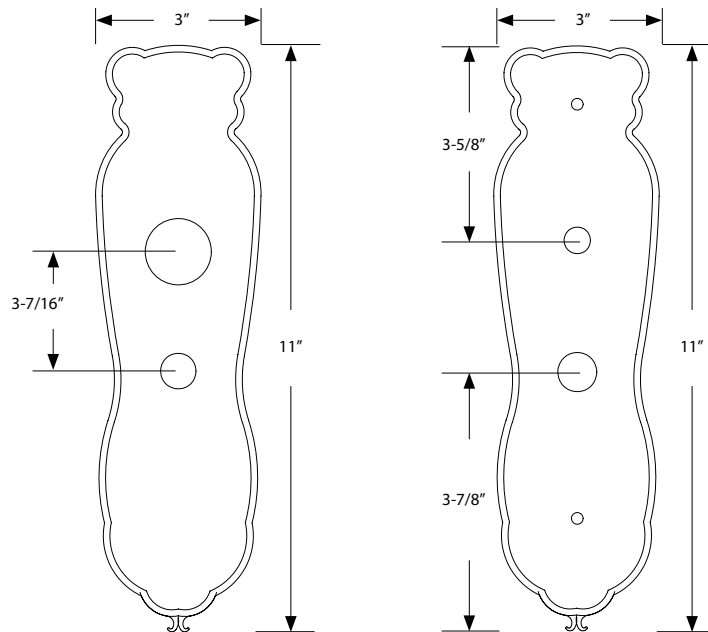
Door Thickness Specifications		
<p>Standard Door Thickness: 1-3/4"</p> <p>Standard Components:</p> <ul style="list-style-type: none"> • 1-3/8" Threaded Cylinder • 2" Long Spindle • 2" Top Rosette Screw • 1-1/2" Bottom Rosette Screw • Thumbpress • Strikeplate 	<p>Extended Door Thickness: 1-7/8" - 2-1/4"</p> <p>Extended Components:</p> <ul style="list-style-type: none"> • 1-1/2" Threaded Cylinder • 2" Long Spindle • 2-1/2" Top Rosette Screw • 2" Bottom Rosette Screw • Thumbpress • Strikeplate 	<p>Extended Door Thickness: 2-3/8" - 2-5/8"</p> <p>Extended Components:</p> <ul style="list-style-type: none"> • 1-3/4" Threaded Cylinder • 2-1/4" Long Spindle • 2-1/2" Top Rosette Screw • 2" Bottom Rosette Screw • Extended Thumbpress • Extended Strikeplate • 2-3/4" TD Requires 2" Threaded Cylinder

Art Nouveau
Part# UL 3532



Outside Trim

Inside Trim



Door Thickness Specifications

Standard Door Thickness: 1-3/4"

Standard Components:

- 1-3/8" Threaded Cylinder
- 2" Long Spindle
- 2" Top Rosette Screw
- 1-1/2" Bottom Rosette Screw
- Thumbpress
- Strikeplate

Extended Door Thickness: 1-7/8" - 2-1/4"

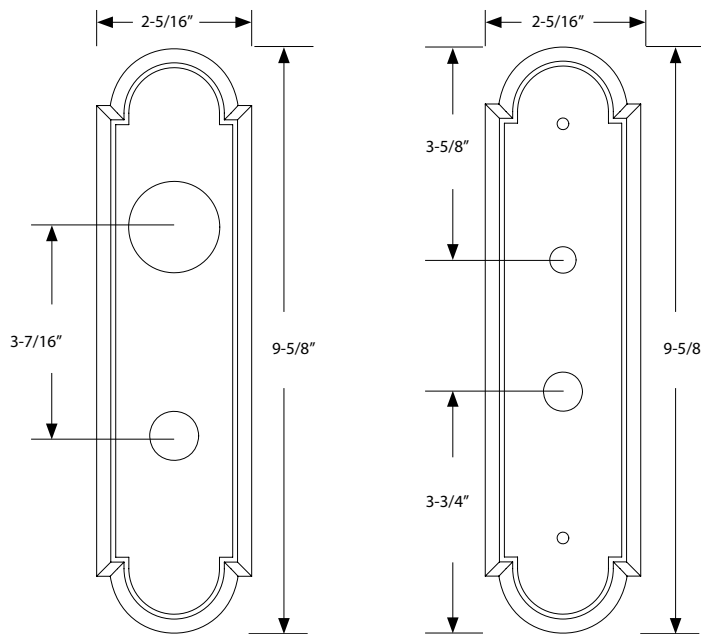
Extended Components:

- 1-1/2" Threaded Cylinder
- 2" Long Spindle
- 2-1/2" Top Rosette Screw
- 2" Bottom Rosette Screw
- Thumbpress
- Strikeplate

Extended Door Thickness: 2-3/8" - 2-5/8"

Extended Components:

- 1-3/4" Threaded Cylinder
- 2-1/4" Long Spindle
- 2-1/2" Top Rosette Screw
- 2" Bottom Rosette Screw
- Extended Thumbpress
- Extended Strikeplate
- **2-3/4" TD Requires 2" Threaded Cylinder**



Door Thickness Specifications		
<p>Standard Door Thickness: 1-3/4"</p> <p>Standard Components:</p> <ul style="list-style-type: none"> • 1-3/8" Threaded Cylinder • 2" Long Spindle • 2" Top Rosette Screw • 1-1/2" Bottom Rosette Screw • Thumbpress • Strikeplate 	<p>Extended Door Thickness: 1-7/8" - 2-1/4"</p> <p>Extended Components:</p> <ul style="list-style-type: none"> • 1-1/2" Threaded Cylinder • 2" Long Spindle • 2-1/2" Top Rosette Screw • 2" Bottom Rosette Screw • Thumbpress • Strikeplate 	<p>Extended Door Thickness: 2-3/8" - 2-5/8"</p> <p>Extended Components:</p> <ul style="list-style-type: none"> • 1-3/4" Threaded Cylinder • 2-1/4" Long Spindle • 2-1/2" Top Rosette Screw • 2" Bottom Rosette Screw • Extended Thumbpress • Extended Strikeplate • 2-3/4" TD Requires 2" Threaded Cylinder