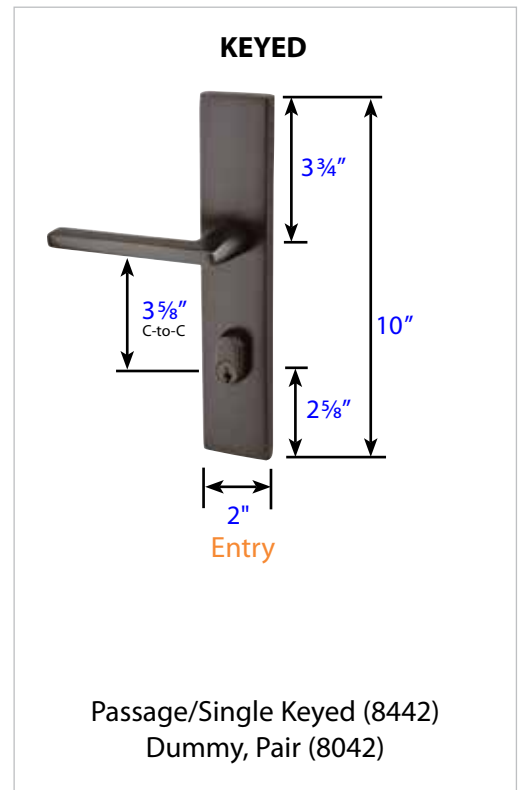
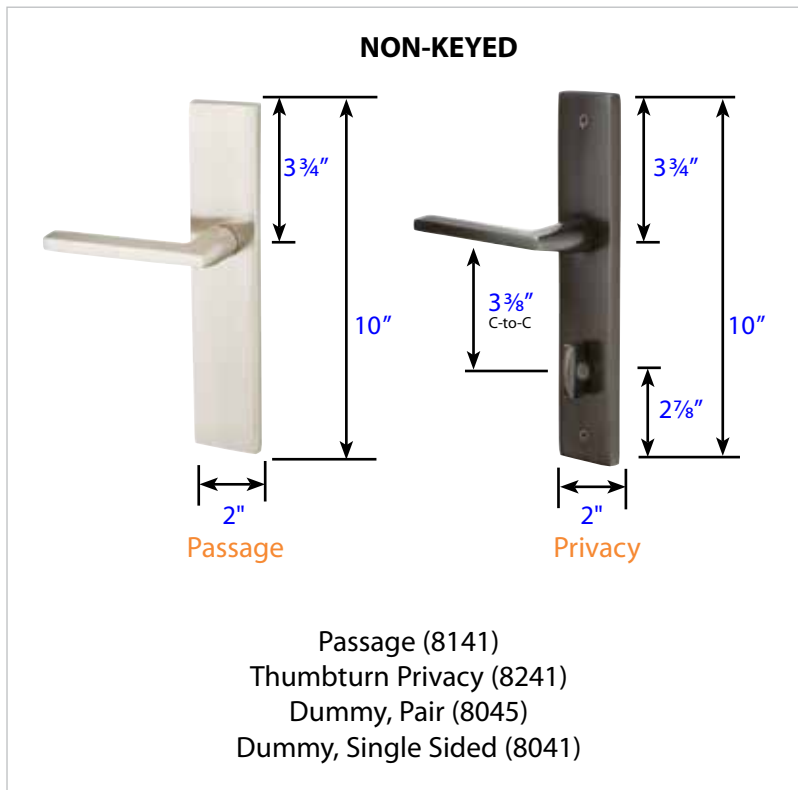
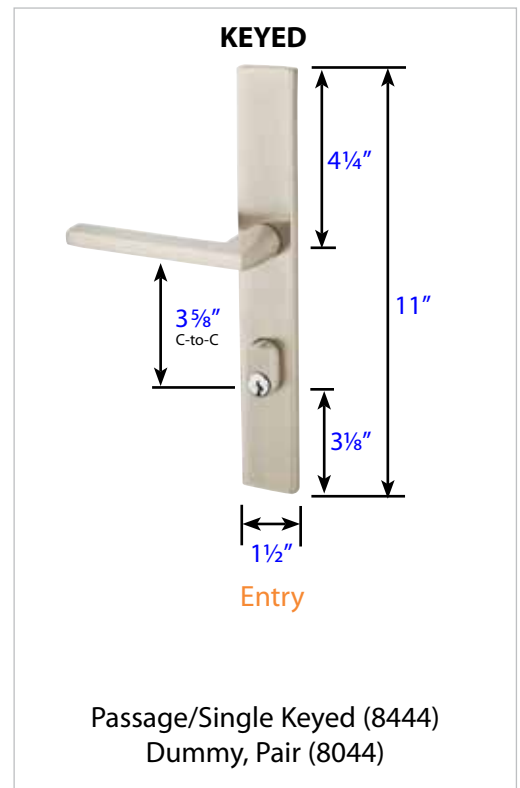
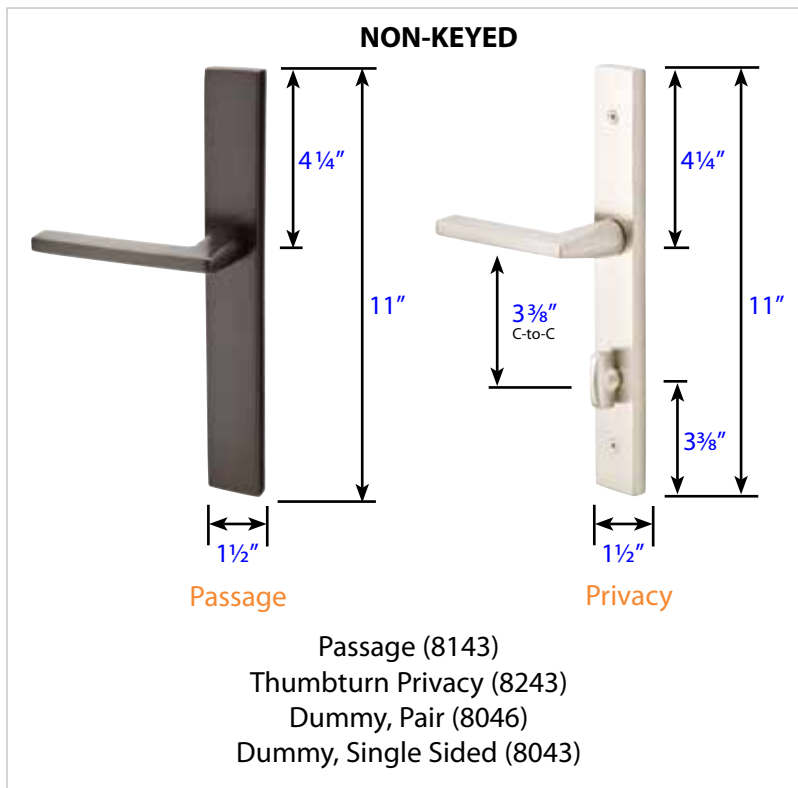


Stretto Style Plates are $\frac{3}{8}$ " Thick

10 in.



11 in.



Brass Non-Keyed Plates (Passage)

<p>Standard Door Thickness: 1 ¼" - 1 ¾"</p> <p>Standard Components:</p> <ul style="list-style-type: none"> • Inside Passage Half Spindle • ¾" Wood Screws • 1 ½" and/or 2" Mounting Screws • Full-Lip Strike Plate 	<p>Extended Door Thickness: 1 ¾" - 2 ¼"</p> <p>Extended Components:</p> <ul style="list-style-type: none"> • Long Inside Passage Half Spindle • ¾" Wood Screws • 2 ½" Mounting Screws • Extended Full-Lip Strike Plate 	<p>Extended Door Thickness: 2 ¼" - 3"</p> <p>Extended Components:</p> <ul style="list-style-type: none"> • Extra Long Inside Passage Half Spindle • ¾" Wood Screws • 3" Mounting Screws • Extended Full-Lip Strike Plate
---	--	--

Brass Plates (Entry/Privacy)

<p>Standard Door Thickness: 1 ¼" - 1 ¾"</p> <p>Standard Components:</p> <ul style="list-style-type: none"> • Regular Tailpiece • Inside Passage Half Spindle • ¾" Wood Screws • 1 ½" and/or 2" Mounting Screws • Full-Lip Strike Plate • Deadbolt Strike Plate 	<p>Extended Door Thickness: 1 ¾" - 2 ¼"</p> <p>Extended Components:</p> <ul style="list-style-type: none"> • Long Single Cylinder Tailpiece • Long Inside Passage Half Spindle • ¾" Wood Screws • 2 ½" Mounting Screws • Extended Full-Lip Strike Plate • Deadbolt Strike Plate 	<p>Extended Door Thickness: 2 ¼" - 3"</p> <p>Extended Components:</p> <ul style="list-style-type: none"> • Extra Long Single Cylinder Tailpiece • Extra Long Inside Passage Half Spindle • ¾" Wood Screws • 3" Mounting Screws • Extended Full-Lip Strike Plate • Deadbolt Strike Plate
---	---	---

Brass Plates (Dummy)

<p>Standard Door Thickness: 1 ¼" - 1 ¾"</p> <p>Standard Components:</p> <ul style="list-style-type: none"> • 1 ½" and/or 2" Mounting Screws 	<p>Extended Door Thickness: 1 ¾" - 2 ¼"</p> <p>Extended Components:</p> <ul style="list-style-type: none"> • 2 ½" Mounting Screws 	<p>Extended Door Thickness: 2 ¼" - 3"</p> <p>Extended Components:</p> <ul style="list-style-type: none"> • 3" Mounting Screws
---	--	--

Stretto Style Plates are $\frac{3}{8}$ " Thick

10 in.

NON-KEYED

Passage Privacy

Passage (4141)
Thumbturn Privacy (4241)
Dummy, Pair (4045)
Dummy, Single Sided (4041)

KEYED

Entry

Passage/Single Keyed (4442)
Dummy, Pair (4042)

11 in.

NON-KEYED

Passage Privacy

Passage (4143)
Thumbturn Privacy (4243)
Dummy, Pair (4046)
Dummy, Single Sided (4043)

KEYED

Entry

Passage/Single Keyed (4444)
Dummy, Pair (4044)

Bronze Non-Keyed Plates (Passage)

<p>Standard Door Thickness: 1 ¼" - 1 ¾"</p> <p>Standard Components:</p> <ul style="list-style-type: none"> • Inside Passage Half Spindle • ¾" Wood Screws • 1 ½" and/or 2" Mounting Screws • Full-Lip Strike Plate 	<p>Extended Door Thickness: 1 ¾" - 2 ¼"</p> <p>Extended Components:</p> <ul style="list-style-type: none"> • Long Inside Passage Half Spindle • ¾" Wood Screws • 2 ½" Mounting Screws • Extended Full-Lip Strike Plate 	<p>Extended Door Thickness: 2 ¼" - 3"</p> <p>Extended Components:</p> <ul style="list-style-type: none"> • Extra Long Inside Passage Half Spindle • ¾" Wood Screws • 3" Mounting Screws • Extended Full-Lip Strike Plate
---	--	--

Bronze Plates (Entry/Privacy)

<p>Standard Door Thickness: 1 ¼" - 1 ¾"</p> <p>Standard Components:</p> <ul style="list-style-type: none"> • Regular Tailpiece • Inside Passage Half Spindle • ¾" Wood Screws • 1 ½" and/or 2" Mounting Screws • Full-Lip Strike Plate • Deadbolt Strike Plate 	<p>Extended Door Thickness: 1 ¾" - 2 ¼"</p> <p>Extended Components:</p> <ul style="list-style-type: none"> • Long Single Cylinder Tailpiece • Long Inside Passage Half Spindle • ¾" Wood Screws • 2 ½" Mounting Screws • Extended Full-Lip Strike Plate • Deadbolt Strike Plate 	<p>Extended Door Thickness: 2 ¼" - 3"</p> <p>Extended Components:</p> <ul style="list-style-type: none"> • Extra Long Single Cylinder Tailpiece • Extra Long Inside Passage Half Spindle • ¾" Wood Screws • 3" Mounting Screws • Extended Full-Lip Strike Plate • Deadbolt Strike Plate
---	---	---

Bronze Plates (Dummy)

<p>Standard Door Thickness: 1 ¼" - 1 ¾"</p> <p>Standard Components:</p> <ul style="list-style-type: none"> • 1 ½" and/or 2" Mounting Screws 	<p>Extended Door Thickness: 1 ¾" - 2 ¼"</p> <p>Extended Components:</p> <ul style="list-style-type: none"> • 2 ½" Mounting Screws 	<p>Extended Door Thickness: 2 ¼" - 3"</p> <p>Extended Components:</p> <ul style="list-style-type: none"> • 3" Mounting Screws
---	--	--