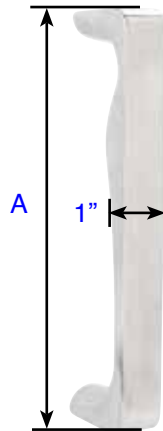


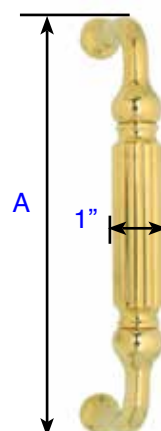
Baden Pull (86184)
Brushed Steel Baden Pull
(S86002)

Projection: 2 1/8"
A= 8 5/8"
Base: 1" x 1/16"



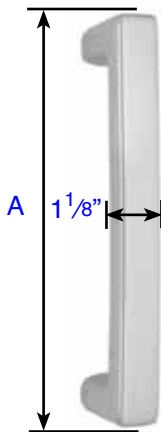
Zeus Pull (86183)
Brushed Steel Zeus Pull
(S86001)

Projection: 2 1/8"
A= 8 5/8"
Base: 1" x 1/16"



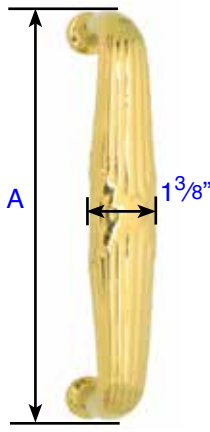
Knoxville Pull (86077)

Projection: 2 1/2"
A= 8 13/16"
Base: 3/4" Diameter



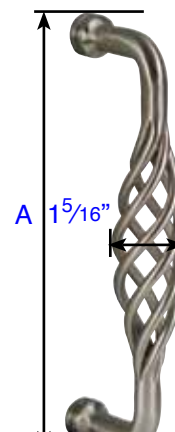
Wilshire Pull (86078)

Projection: 2 1/8"
A= 8 7/8"
Base: 1 1/8" Diameter



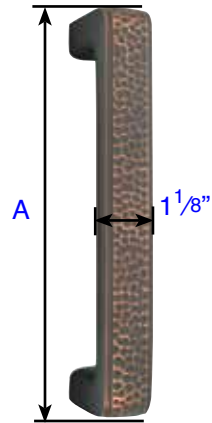
Ribbon & Reed Pull
(86080)

Projection: 2 3/8"
A= 8 15/16"
Base: 1" Diameter



Lafayette Brass Pull
(86118)

Projection: 3/4"
A= 8 13/16"
Base: 3/4" Diameter

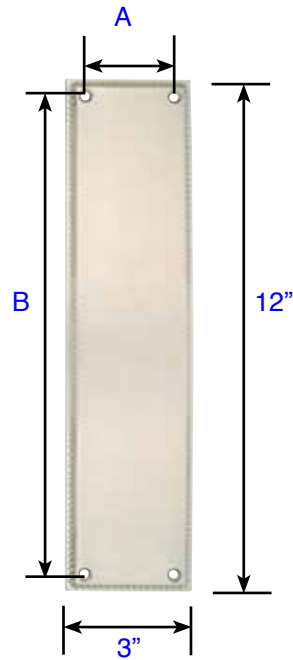


Screw Specifications - Brass 8" Pulls

- Standard Components:
- 1", 10-32 Screws
 - 1", 14-20 Screws
 - Inserts for 14-20 screws
 - Inserts for 10-32 screws

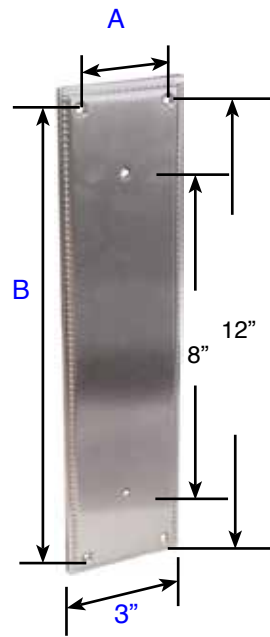
Arts & Crafts Pull
(86079)

Projection: 2 1/8"
A= 8 7/8"
Base: 1 1/8" Diameter



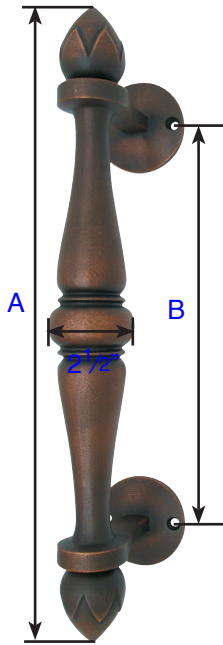
Knoxville Push (86081)
Plate

A= 2 1/8" Screw-to-Screw
B= 11 1/8" Screw-to-Screw



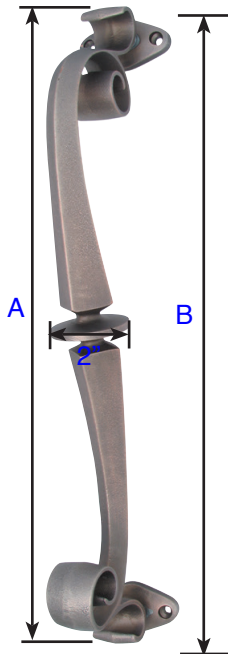
Knoxville Pull Plate (86082)
Plate only
drilled to accept 8" pull

A= 2 1/8" Screw-to-Screw
B= 11 1/8" Screw-to-Screw



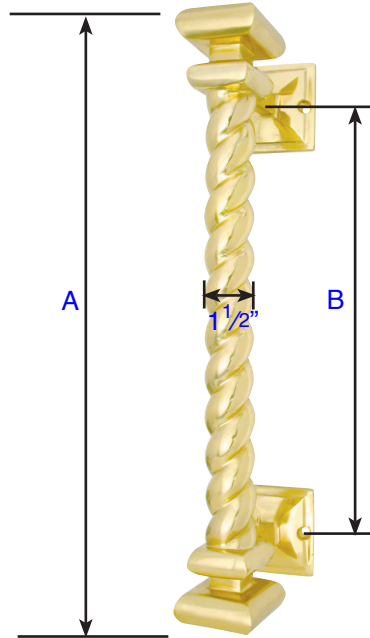
Spindle Style (86065)

A = 18"
B = 12⁵/₈" Screw-to-Screw
Projection: 4³/₄"
Base: 2³/₄" Diameter



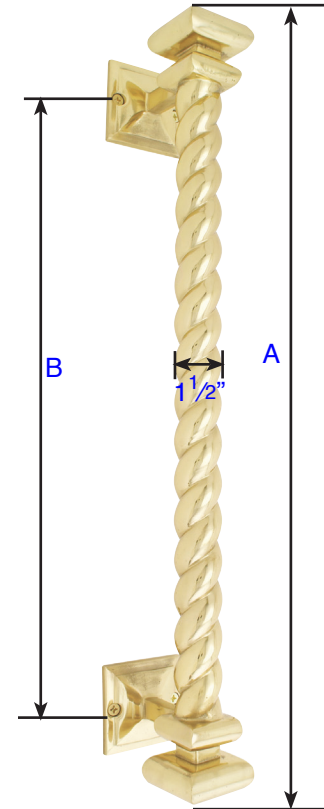
Scroll Style (86066)

A = 18"
B = 16" Screw-to-Screw
Projection: 4³/₄"
Base: W = 3", H = 1⁵/₈"



Rope Style (86064)

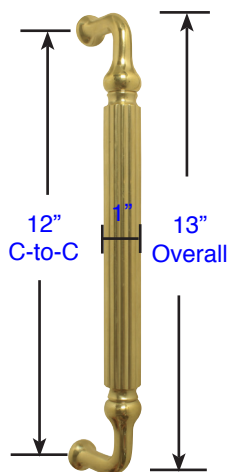
A = 18"
B = 4⁷/₃₂" Screw-to-Screw
Projection: 4"
Base: 2⁵/₈" Squared



Rope Style (86083)

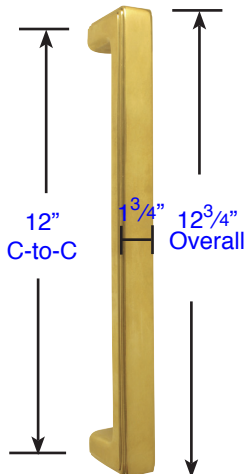
A = 24"
B = 20⁷/₃₂" Screw-to-Screw
Projection: 4"
Base: 2⁹/₁₆" Squared

Screw Specifications - Brass 18" & 24" Pulls



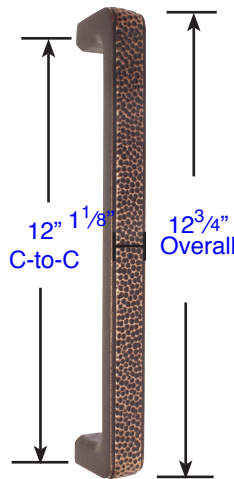
Knoxville Pull
PVD-Lifetime

Projection: 2¹/₂"
Clearance: 1¹/₂"



Wilshire Pull
PVD-Lifetime

Projection: 2¹/₈"
Clearance: 1³/₈"



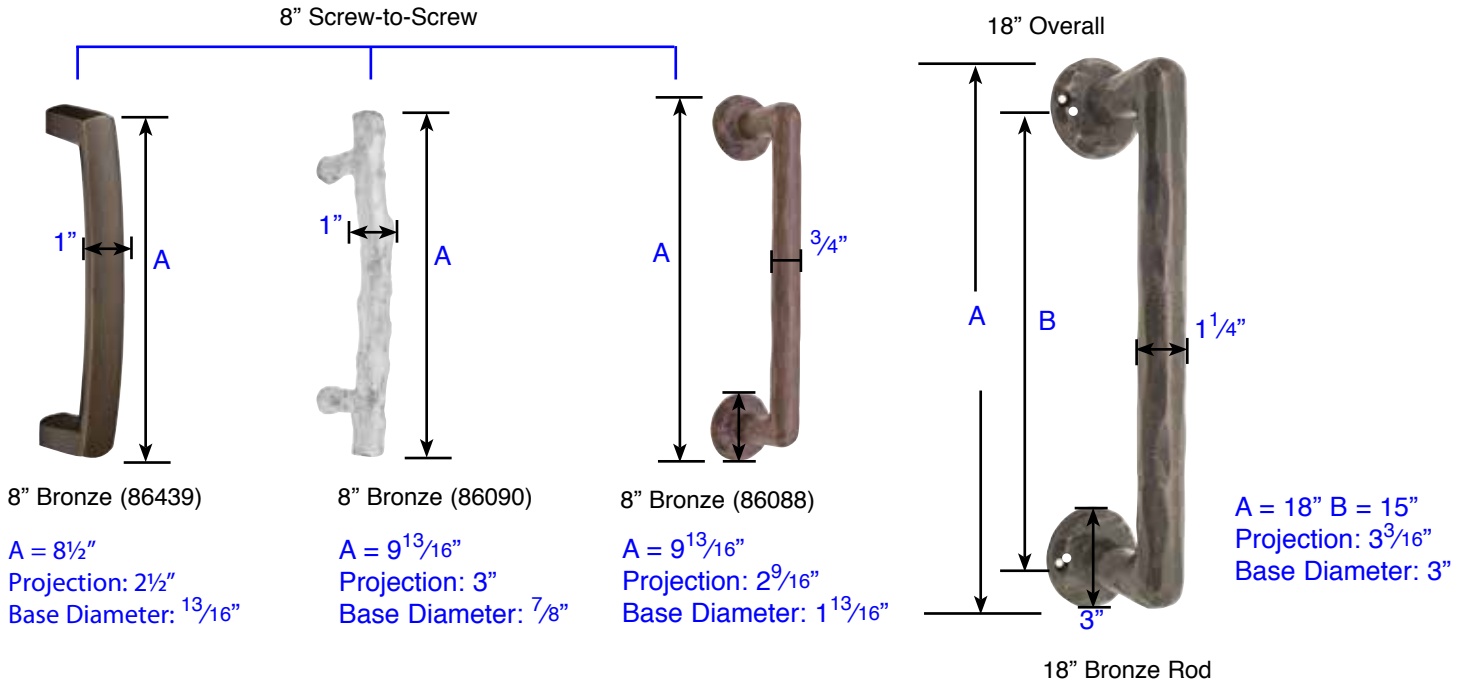
Arts & Crafts Pull
Oil Rubbed Bronze

Projection: 2¹/₈"
Clearance: 1³/₈"

Screw Specifications - Brass 12" Pulls

Standard Components:
• 1", 10-32 Screws
• 1", 14-20 Screws
• Inserts for 14-20 screws
• Inserts for 10-32 screws

Standard Components:
• #10, 1" Wood Screws

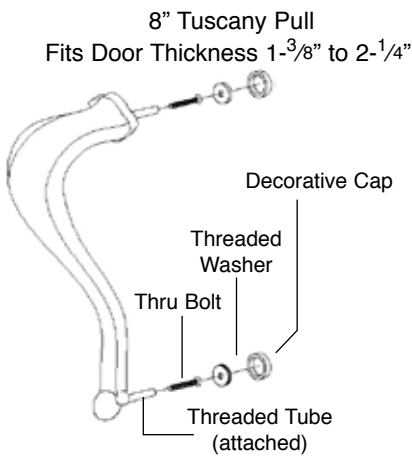


**Screw Specifications
Tuscany Bronze 8" Pulls**

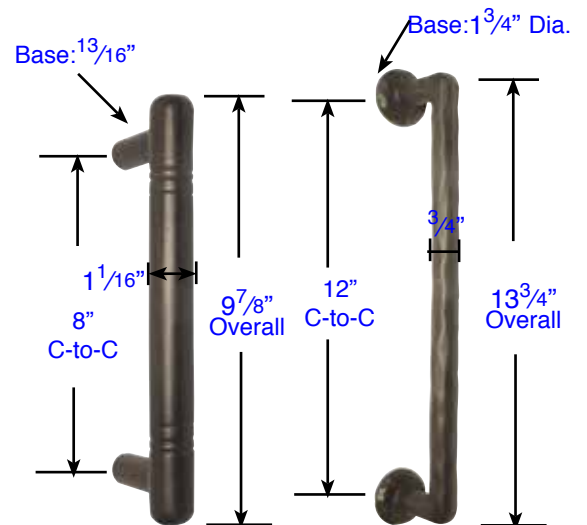
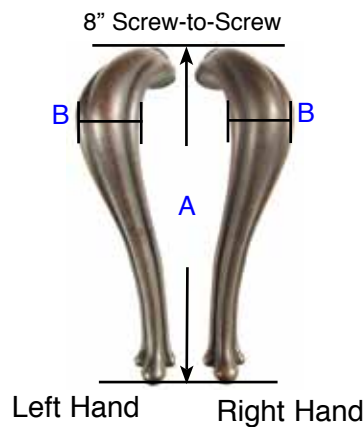
Standard Components:
• 1", 10-32 Screws
• 1", 14-20 Screws

**Screw Specifications
Tuscany Bronze 18" Pulls**

Standard Components:
• #10, 1" Wood Screws

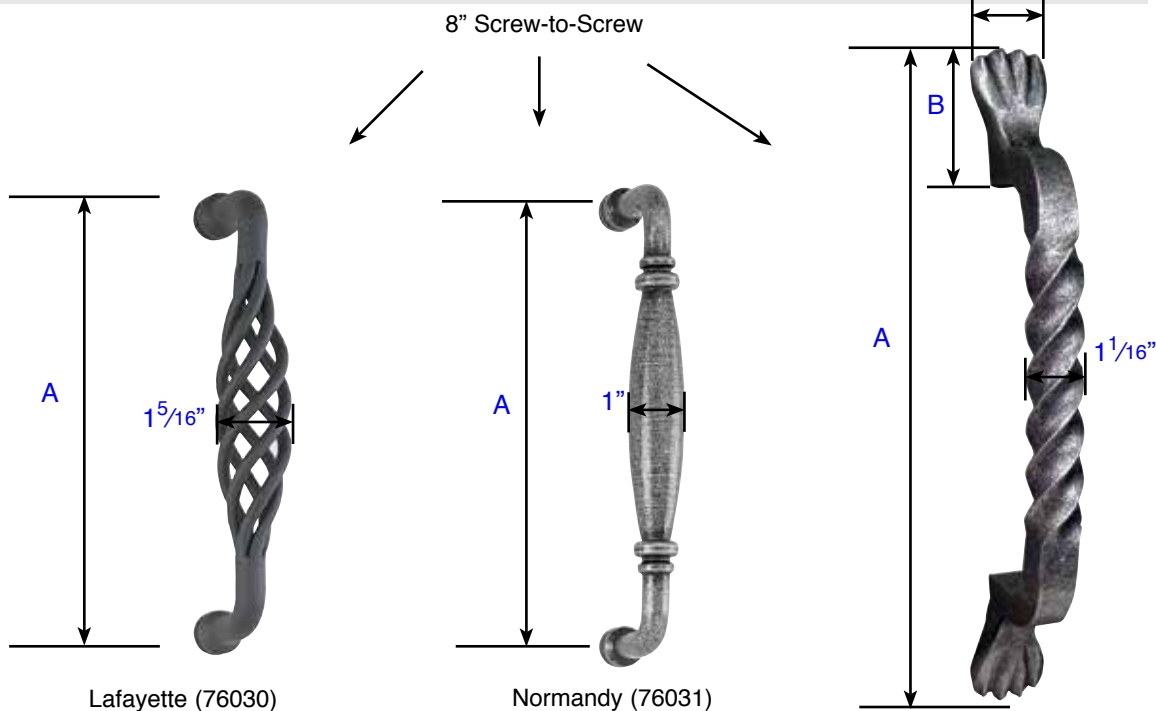


**Screw Specifications
Art Nouveau 8" Pull**
• 1 1/2", 8-32 Screws



Standard Components:
• 1", 10-32 Screws
• 1", 14-20 Screws
• Inserts for 14-20 screws
• Inserts for 10-32 screws

Door Pulls - Wrought Steel 8", 18", 24" Pulls



Lafayette (76030)

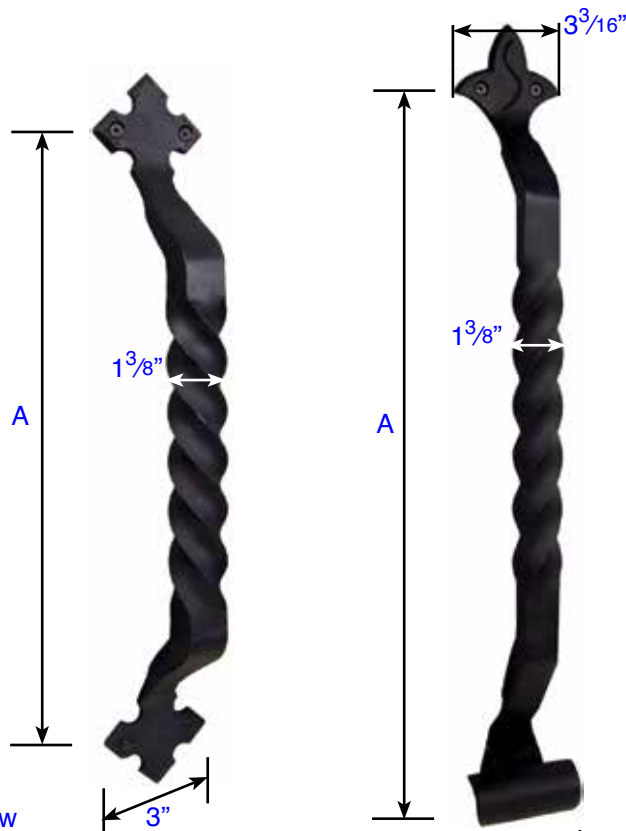
A = $8\frac{13}{16}$ "
Projection: $2\frac{1}{2}$ "
Base: $\frac{3}{4}$ " Diameter

Normandy (76031)

A = $8\frac{13}{16}$ "
Projection: $2\frac{1}{2}$ "
Base: $\frac{3}{4}$ " Diameter

San Carlos 8" (76028)

A = $12\frac{1}{4}$ ", B = $2\frac{1}{2}$ ", C = $1\frac{1}{8}$ "
Projection: $2\frac{7}{16}$ "



A = $14\frac{3}{4}$ " Screw-to-Screw
Projection: 3"

San Carlos, 18" (76029)

A = $21\frac{15}{16}$ " Screw-to-Screw
Projection: 3"

San Carlos, 24" (76041)

Screw Specifications
Wrought Steel 8" Pulls

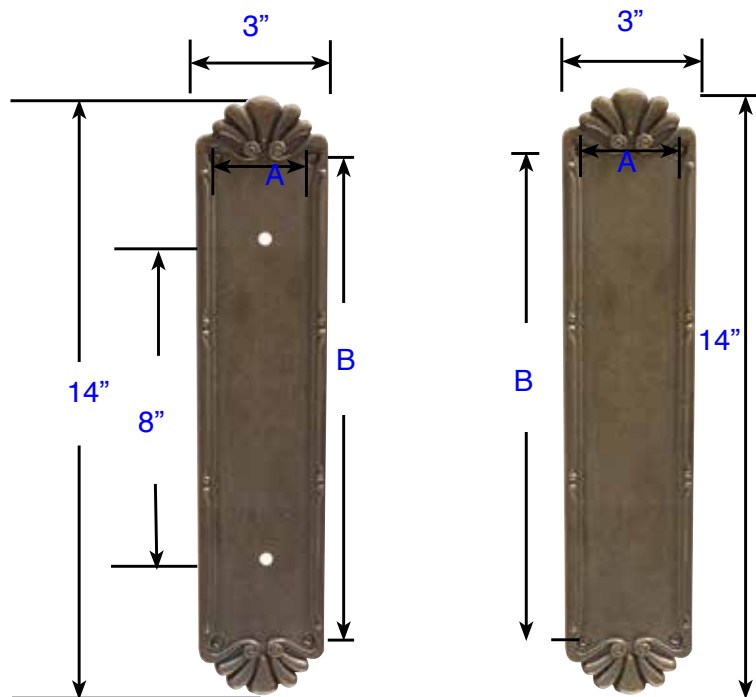
Standard Components:

- 1", 10-32 Screws
- 1", 14-20 Screws
- Inserts for 14-20 screws
- Inserts for 10-32 screws

Screw Specifications
Wrought Steel 18" & 24" Pulls

Standard Components:

- #10, 1" Wood Screws

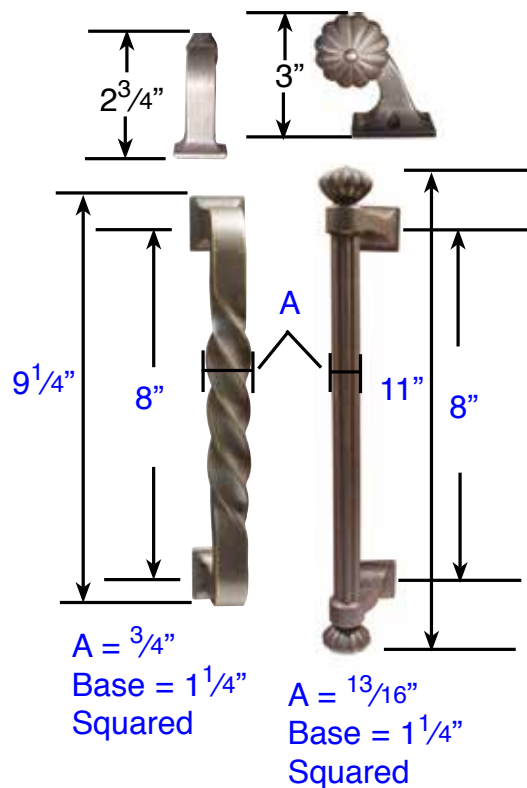


Tuscany Petal Pull Plate

Tuscany Petal Push Plate

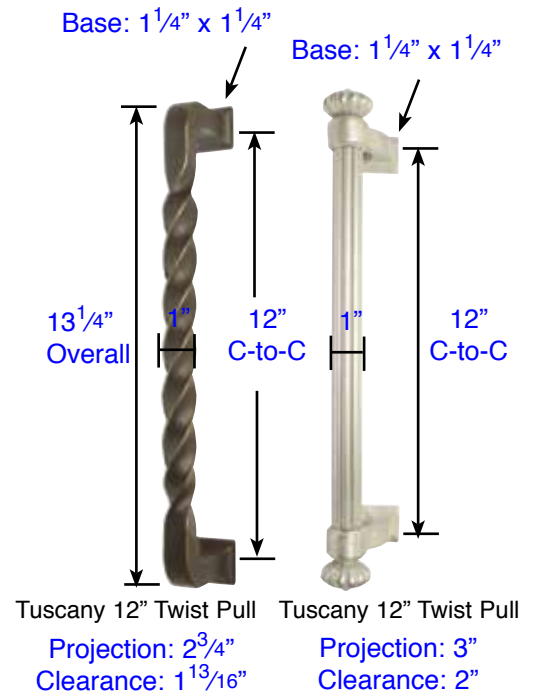
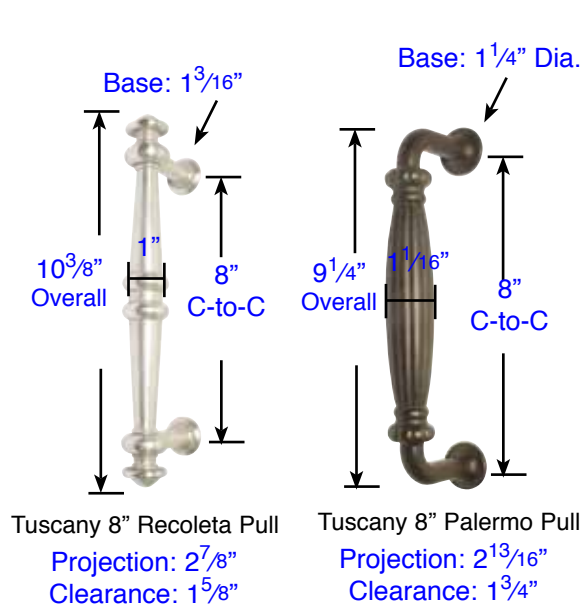
A = $2\frac{5}{32}$ " Screw-to-Screw
B = $11\frac{1}{4}$ " Screw-to-Screw

A = $2\frac{5}{32}$ " Screw-to-Screw
B = $11\frac{1}{4}$ " Screw-to-Screw



A = $\frac{3}{4}$ "
Base = $1\frac{1}{4}$ "
Squared

A = $\frac{13}{16}$ "
Base = $1\frac{1}{4}$ "
Squared



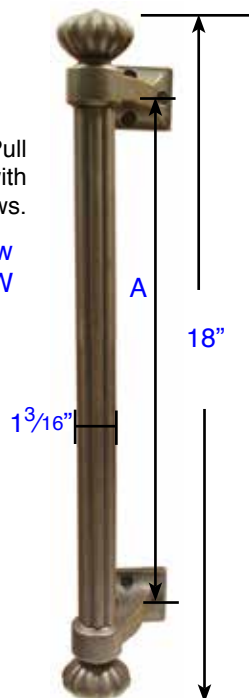
Standard Components:

- 1", 10-32 Screws
- 1", 14-20 Screws
- Inserts for 14-20 screws
- Inserts for 10-32 screws

- 8" Tuscany Twist - (86069)
- 8" Tuscany Column - (86156)
- Tuscany Petal Push Plate - (86181)
- Tuscany Petal Pull Plate - (86182)
- 18" Column Pull - (86157)
- 24" Column Pull - (86158)



Tuscany 18" Column Pull
Supplied with
#10 wood screws.
A = 13^{7/16}" Screw-to-Screw
Base = 2"L, 2^{3/4}"W



Tuscany 24" Column Pull
Supplied with
#10 wood screws.

A = 19^{7/16}" Screw-to-Screw
Base = 2"L, 2^{3/4}"W

