

STRETTO

NARROW SIDEPLATE LOCKSETS

AN INNOVATIVE NEW PRODUCT LEADING THE WAY
FOR THE FUTURE OF DECORATIVE DOOR HARDWARE

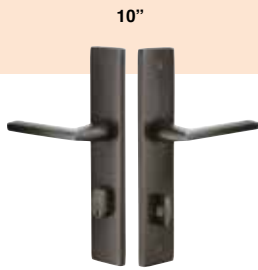


SIDEPLATE LOCKSETS - STRETTO NARROW TRIM

STRETTO uses a tubular latch and is available for order in passage, thumb-turn privacy, keyed entry, and dummy functions. It can be paired with any brass Emtek knob or lever. The sleek design of the STRETTO requires a 1 1/4" diameter bore hole and a 2-hole door preparation for privacy thumb-turn and keyed configurations. Additional specifications for this truly unique design include:

- Available in 2 3/8" or 2 3/4" backsets
- 28° latch compatible (upgrade available)
- Available in Oil Rubbed Bronze (US10B), Satin Nickel (US15), and Polished Chrome (US26) finishes - also available in split finishes.
- Trim sizes available are 10" x 2" or 11" x 1 1/2"

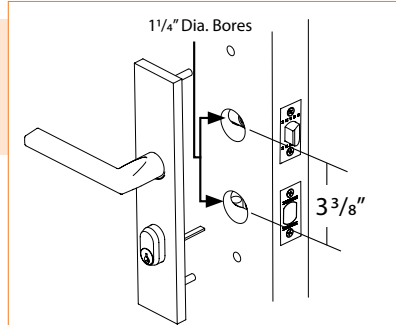
STRETTO KEYED ENTRY STYLES



Exterior Interior



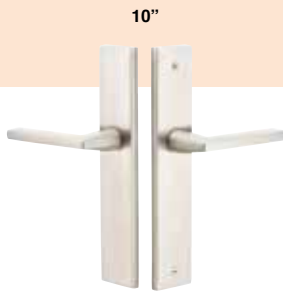
Exterior Interior



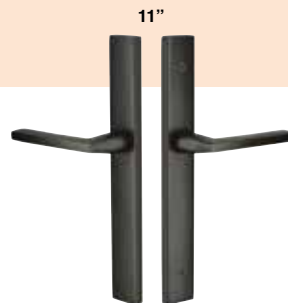
See Template for Door Prep Specification

- Narrow 1 1/4" Door Preps, 3 3/8" Center to Center Hole Spacing
- Schlage C Keyway (Available in Weiser Keyway)

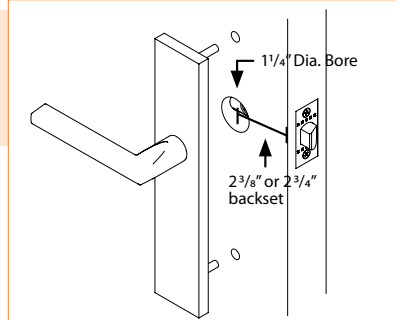
STRETTO NON-KEYED PASSAGE STYLES



Exterior Interior



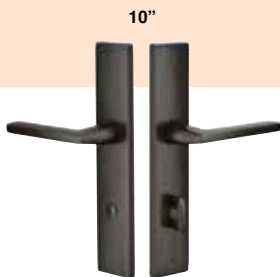
Exterior Interior



See Template for Door Prep Specification

- Narrow 1 1/4" Door Preps

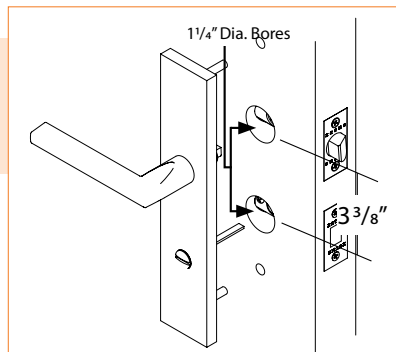
STRETTO THUMBTURN PRIVACY STYLES



Exterior Interior



Exterior Interior

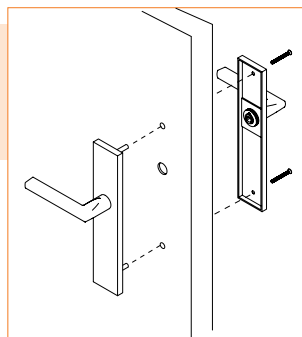


See Template for Door Prep Specification

- Narrow 1 1/4" Door Preps, 3 3/8" Center to Center Hole Spacing
- Privacy Thumbturn

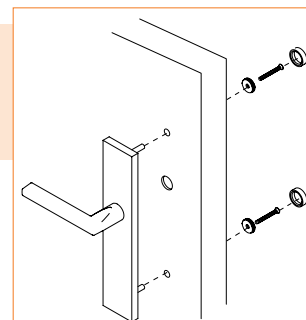
STRETTO DUMMY PAIR STYLES

Available in both 10" and 11"



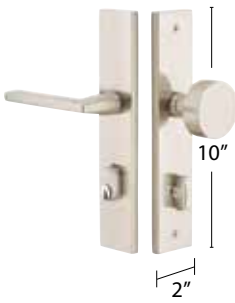
STRETTO DUMMY SINGLE SIDED STYLES

Available in both 10" and 11"



STRETTO NARROW TRIM - SIDEPLATE LOCKSETS

10" STRETTO
Keyed Entry Set



10" STRETTO Keyed Style

Description	Product Code	Knob or Lever Style	Finish	List Price
Passage/Single Keyed	8442	<i>See 2012 Price Book Page 4 for Brass Knob & Lever Options.</i>	Oil Rubbed Bronze (US10B) Satin Nickel (US15) Polished Chrome (US26)	\$156.00
Dummy Pair	8042			\$156.00

>> Specify by adding "W" to the beginning of Product Code for Weiser (WR5) Keyway (For example: **W8442SQU** US10B).
No upcharge for cylinder substitution. Can be keyed into existing Weiser system.

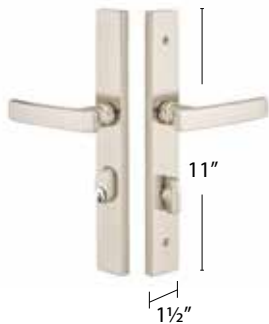
10" STRETTO
Thumbturn Privacy Set



10" STRETTO Non-Keyed Style

Description	Product Code	Knob or Lever Style	Finish	List Price
Passage	8141	<i>See 2012 Price Book Page 4 for Brass Knob & Lever Options.</i>	Oil Rubbed Bronze (US10B) Satin Nickel (US15) Polished Chrome (US26)	\$140.00
Thumbturn Privacy	8241			\$140.00
Dummy, Pair	8045			\$140.00
Dummy, Single Sided	8041			\$70.00

11" STRETTO
Keyed Entry Set



11" STRETTO Keyed Style

Description	Product Code	Knob or Lever Style	Finish	List Price
Passage/Single Keyed	8444	<i>See 2012 Price Book Page 4 for Brass Knob & Lever Options.</i>	Oil Rubbed Bronze (US10B) Satin Nickel (US15) Polished Chrome (US26)	\$156.00
Dummy Pair	8044			\$156.00

>> Specify by adding "W" to the beginning of Product Code for Weiser (WR5) Keyway (For example: **W8444HT** US10B).
No upcharge for cylinder substitution. Can be keyed into existing Weiser system.

11" STRETTO
Non-Keyed Passage Set



11" STRETTO Non-Keyed Style

Description	Product Code	Knob or Lever Style	Finish	List Price
Passage	8143	<i>See 2012 Price Book Page 4 for Brass Knob & Lever Options.</i>	Oil Rubbed Bronze (US10B) Satin Nickel (US15) Polished Chrome (US26)	\$140.00
Thumbturn Privacy	8243			\$140.00
Dummy, Pair	8046			\$140.00
Dummy, Single Sided	8043			\$70.00

Handing Required For Leversets. Standard latch is for 2³/₈" backset. Specify 2³/₄" backset if required.
Complete set includes Latch and Strike Plate. To order 28° Rotation Latch with any Knobset or Leverset,
add product code **Latch28** and list price **\$12**.



Scan this code to
visit our website



follow us on

facebook.com/EmtekAssaAbloy

youtube.com/user/EMTEKproducts

twitter.com/emtek_assaabloy

pinterest.com/emtekassaabloy



EMTEK Products, Inc.
15250 E. Stafford Street
City of Industry • CA 91744
Tel: 800-356-2741 • 626-961-0413
Fax: 800-577-5771 • 626-336-2812
www.emtek.com

Addendum Q 2013