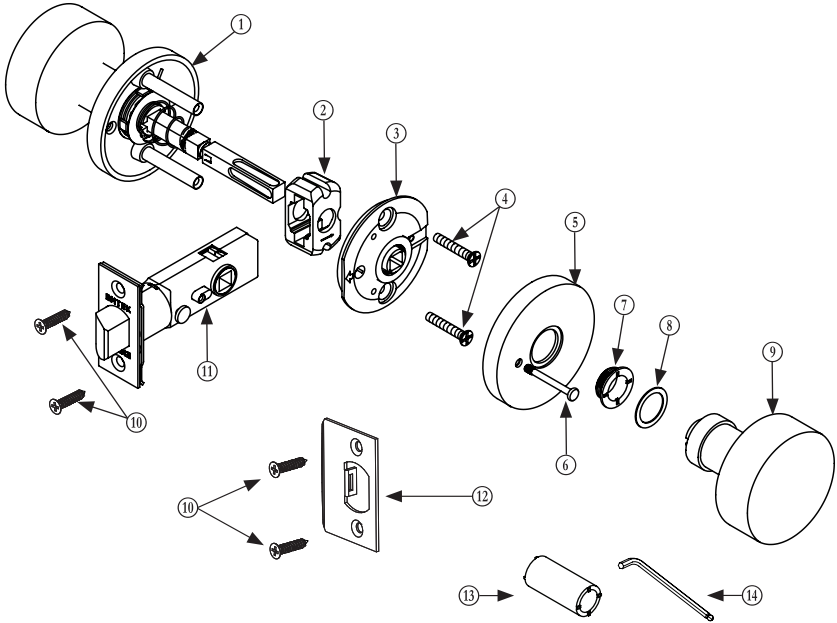


CF Mechanism

Passage & Privacy Locksets

Installation Guide

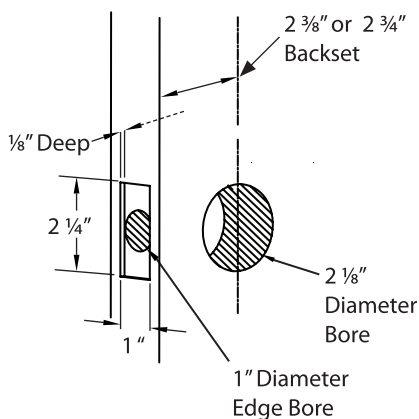


What's in the Box

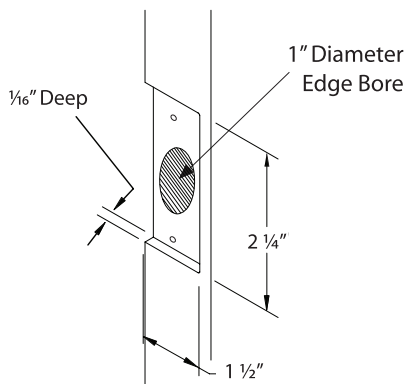
ITEM NO.	DESCRIPTION	QTY.
①	Pre-Assembled Trim	1
②	Plastic Alignment Tool	1
③	Concealed Fastener Mechanism	1
④	#8-32 x 1" Flat Head Machine Screws	2
⑤	Rosette	1
⑥	Privacy Pin	1
⑦	Ring Fastener	1
⑧	Plastic Washer	1
⑨	Interior/Exterior Knob or Lever	1
⑩	#8 x 3/4" Wood Screws	4
⑪	Latch	1
⑫	Strike Plate	1
⑬	Plastic Ring Fastener Wrench	1
⑭	3/32" Allen Wrench	1

Preparation

1. Door Prep

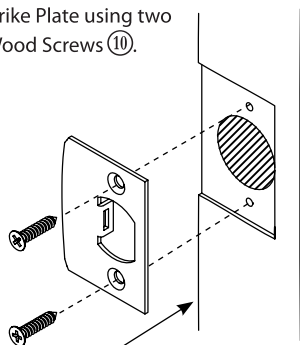


2. Door Jamb Prep



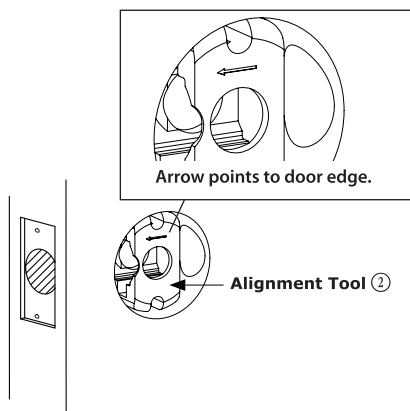
3. Install Strike Plate

Fasten Strike Plate using two #8 x 3/4" Wood Screws (10).



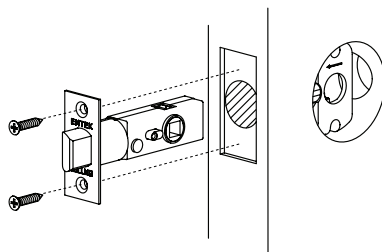
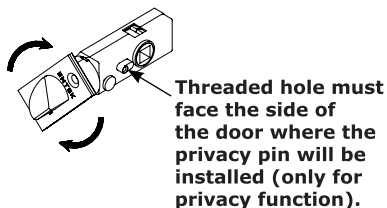
4. Install Latch

Step 1: Place Plastic Alignment tool (2) in bore hole with arrow pointing to door edge.



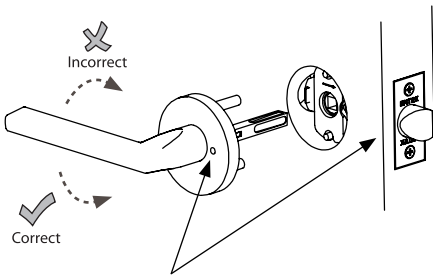
Step 2: Insert & fasten Latch (11) using two #8 x 3/4" Wood Screws (10).

⚠ IF NECESSARY, ROTATE LATCH NOSE SO CURVED FACE WILL HIT THE STRIKE PLATE WHEN THE DOOR IS CLOSING.



5. Install Trims

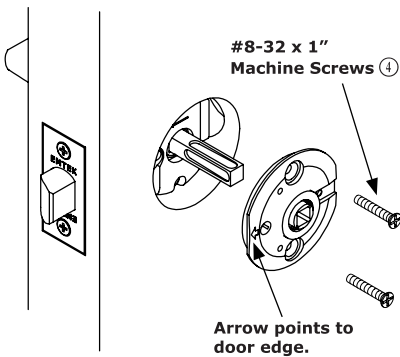
Step 1: Install Pre-Assembled Trim ①.



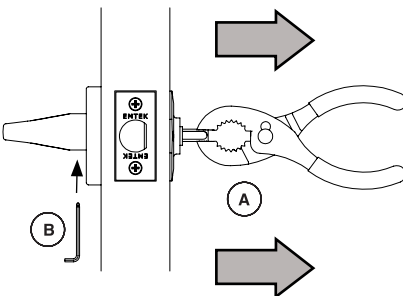
⚠ Make sure the release hole is close to door edge (applicable only to privacy function).

Step 2: Install Concealed Fastener Mechanism ③ with arrow pointing to door edge.

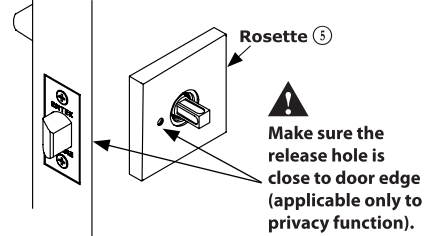
Check trim alignment before fully tightening screws.



Step 3: A. Fully extend spindle by pulling it outwards until it is against the internal stop. B. Tighten the pre-installed set screw in knob or lever with $\frac{3}{32}$ " Allen Wrench ⑭.

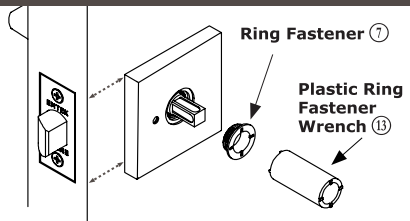


Step 4: Install Rosette ⑤.

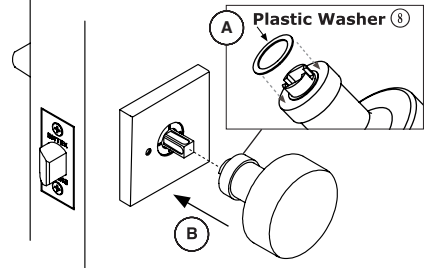


Step 5: Secure rosette to door with Ring Fastener ⑦ using Plastic Ring Fastener Wrench ⑬.

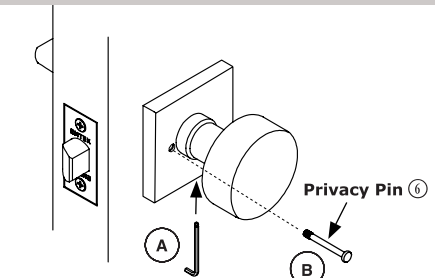
Check trim alignment before fully tightening Ring Fastener.



Step 6: A. Place Plastic Washer ⑧ on to Knob or Lever ⑨. B. Then install Knob or Lever ⑨ by sliding it on to the spindle.



Step 7: A. Tighten the pre-installed set screw in knob or lever with $\frac{3}{32}$ " Allen Wrench ⑭. B. Screw Privacy Pin ⑥ through interior trim in to latch.





Find us on Facebook
[facebook.com/EmtekAssaAbloy](https://www.facebook.com/EmtekAssaAbloy)

EMTEK[®]

ASSA ABLOY

ASSA ABLOY is the global leader in door opening solutions, dedicated to satisfying end-user needs for security, safety and convenience.

Copyright © 2010, Emtek Products, Inc. an ASSA ABLOY Group company. All rights reserved. Reproduction in whole or in part without the express written permission of Emtek Products, Inc. is prohibited.