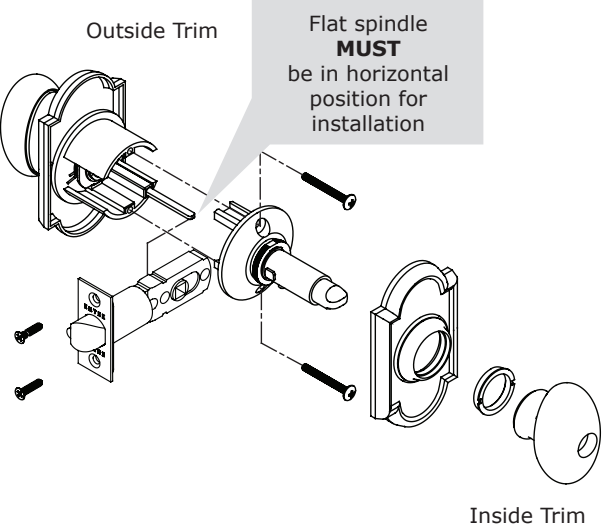
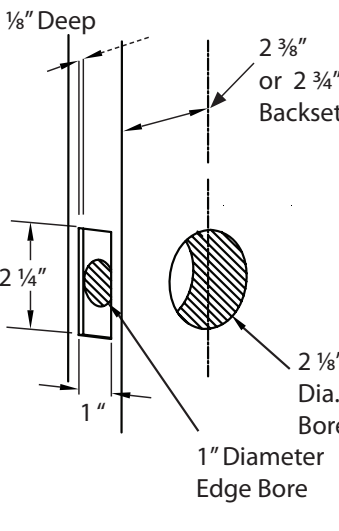
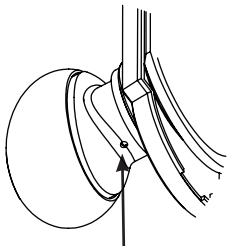


Installation Guide - For Key in Knob with #8 Style Rosette

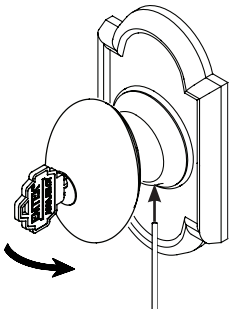
Lock Assembly	Door Prep
 <p>Outside Trim</p> <p>Flat spindle MUST be in horizontal position for installation</p> <p>Inside Trim</p>	 <p>1/8" Deep</p> <p>2 3/8" or 2 3/4" Backset</p> <p>2 1/8" Dia. Bore</p> <p>1" Diameter Edge Bore</p>

Re-pinning Cylinder (Optional)

Step 1. Small hole should face down.



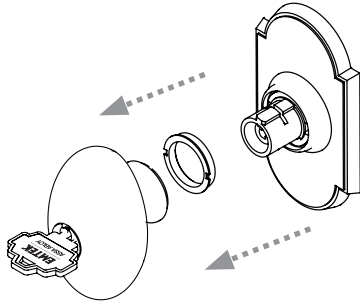
Step 2. Rotate key counterclockwise 90° while pressing wire into hole.



For more information on rekeying cylinder, please scan the QR code for how-to video.

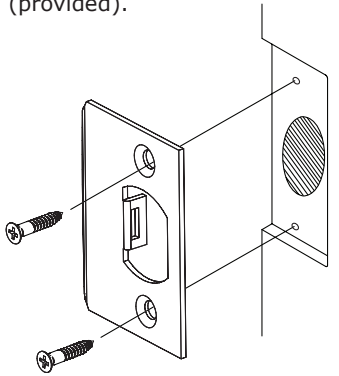


Step 3. Slide knob off stem.




1. Install Strike Plate

Fasten Strike Plate using Two #8 x 3/4" Wood Screws (provided).

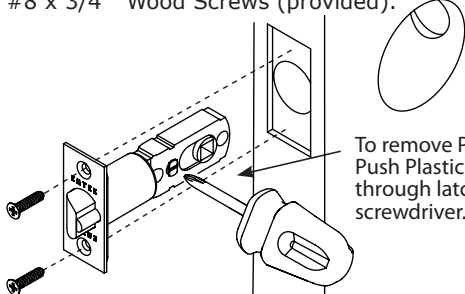


Scan this QR code for installation video




2. Install Adjustable Latch

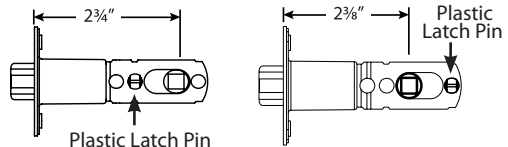
Fasten Adjustable Latch using two #8 x 3/4" Wood Screws (provided).



To remove Pin: Push Plastic Latch Pin through latch with screwdriver.



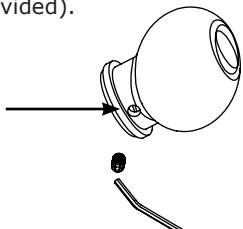
The Adjustable Latch is factory shipped with a 2 3/4" backset position. Remove pin and slide spindle hub forward for a 2 3/8" backset, then reinsert the pin in the hole at the back of the latch as shown.



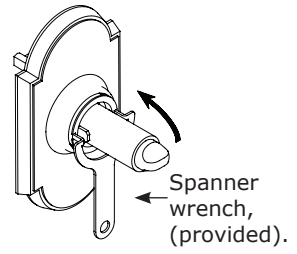
Plastic Latch Pin

3. Remove Inside Rosette

Step 1. Remove inside knob by loosening set screw w/ hex wrench (provided).



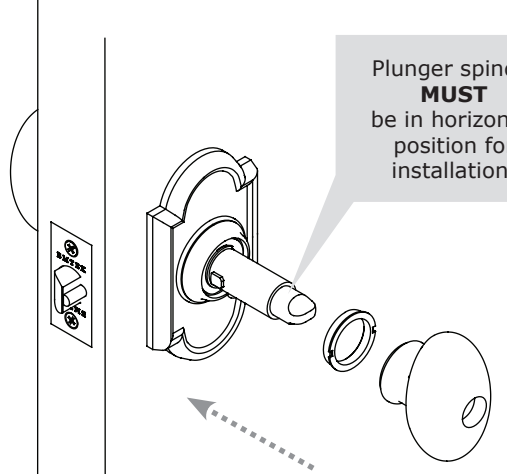
Step 2. Unthread locking ring counterclockwise to remove rosette from housing before installing on door.



Spanner wrench, (provided).

4. Installing Inside Trim

Step 1. Secure inside rosette to door by threading locking ring clockwise on to stem.



Plunger spindle **MUST** be in horizontal position for installation.

Step 2. Tighten knob set screw after placing knob on stem.