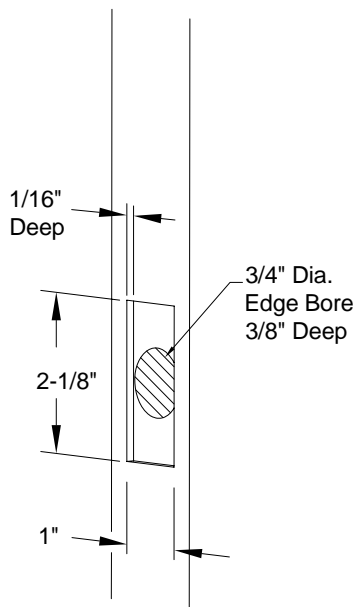
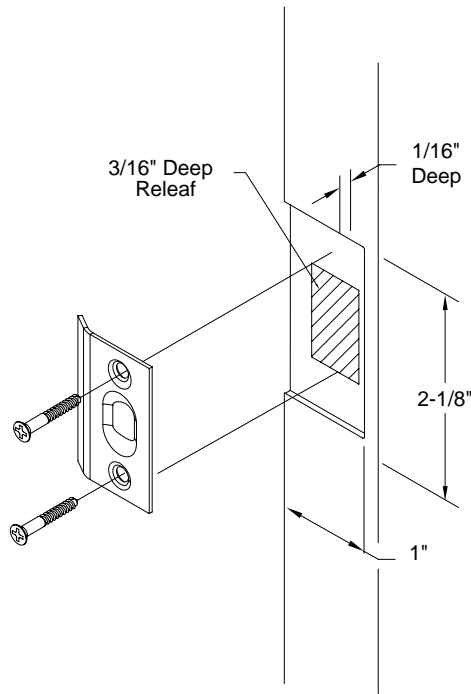


Installation Instructions-Ball Catch

Door Prep

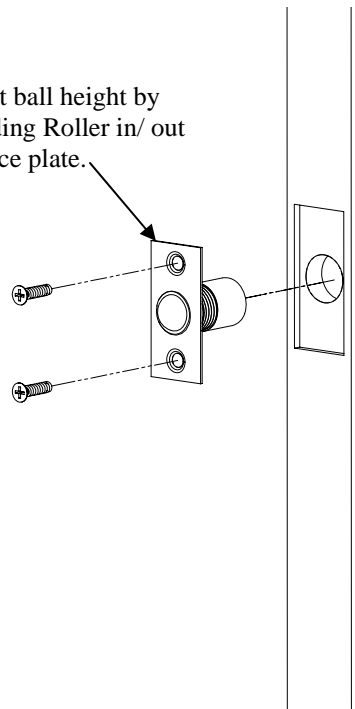


Door Jamb Prep



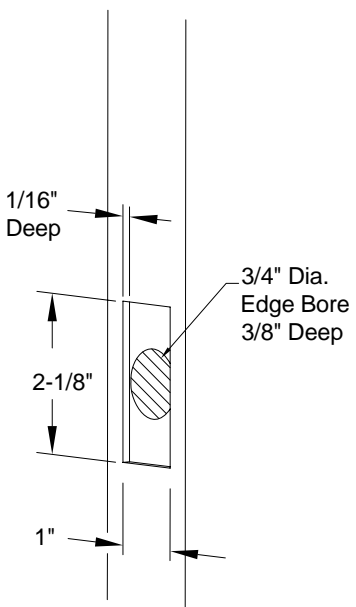
Install Ball Catch

Adjust ball height by threading Roller in/ out of Face plate.

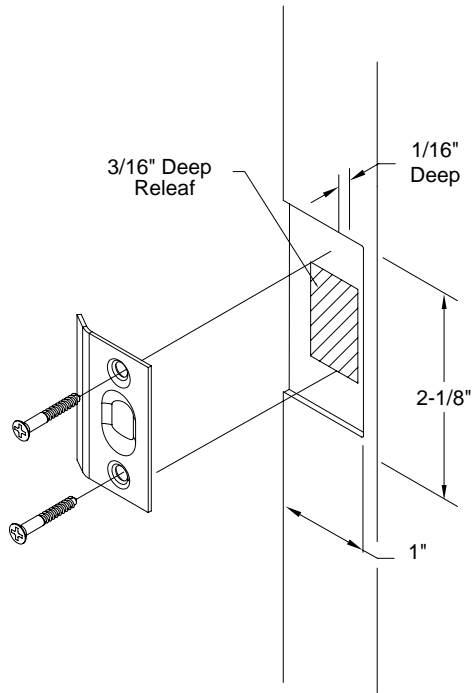


Installation Instructions-Ball Catch

Door Prep



Door Jamb Prep



Install Ball Catch

Adjust ball height by threading in/ out of Face Plate.

