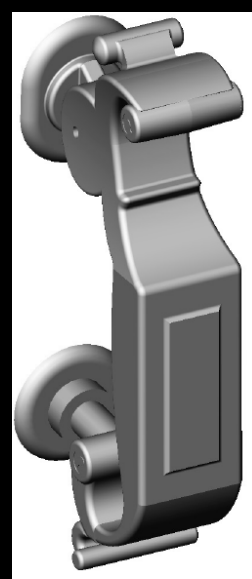
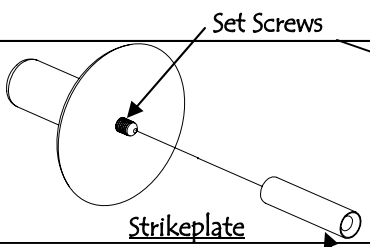


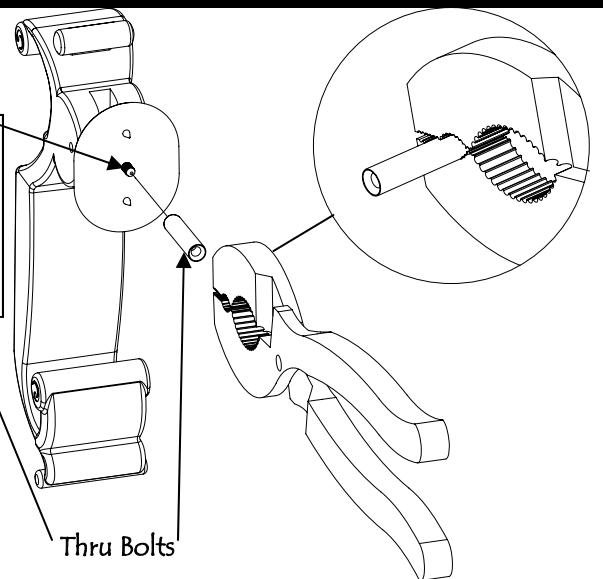
Installation Instructions—Door Knocker - S Style - 2622



Install Thru Bolts

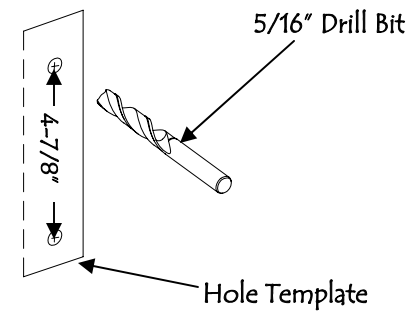


Thread Thru Bolts (Provided) onto Knocker & Strikeplate Set Screws. Use Pliers to Ensure that Bolts are Secure.

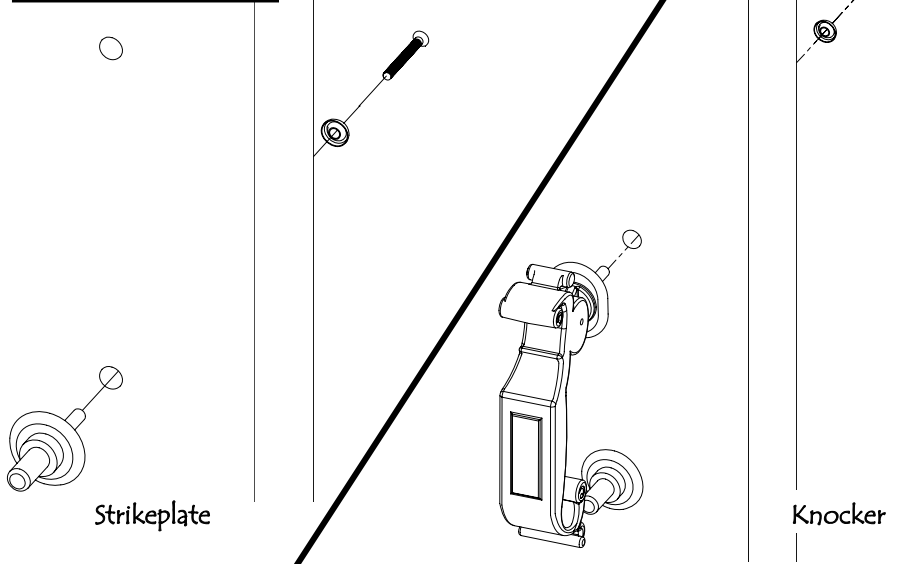


Drill Holes In Door

Using Hole Template (Bottom of This Page) Drill Two Holes with a 5/16" Drill Bit.



Knocker Installation



Knocker Installation

Tighten Screws

