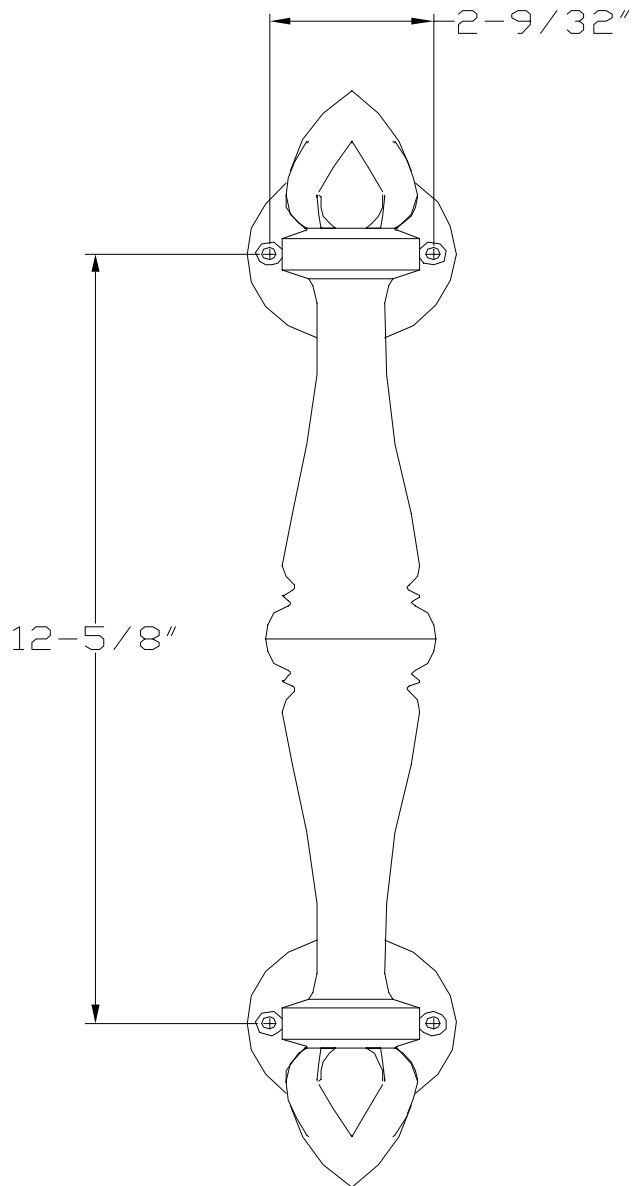


Drill Holes

Drill four 5/32" holes



Install Door Pull

Position Door Pull on door. Use #2 Phillips head screwdriver to install #10 wood screws (provided).

